

**Storm Series®  
Ranger II™  
RWD**

**Powered Wheelchair**



# Parts Catalog Usage Guide

The information contained in this document is subject to change without notice. This catalog contains service parts for Form No. 95-172. If you have any questions regarding this catalog, please contact one of our Customer Service Representatives.

**For Customer Service Support Call:**

**1-800-333-6900**

**For Faxed In Orders Call:**

**1-800-678-4682 or**

**1-440-366-0709**

**For Technical Service Call:**

**1-800-832-4707**

**Literature Can Be Found at:**

**www.invacare.com or**

**1-800-828-6272**

## SYMBOL DEFINITION

Throughout this catalog you will notice letters to draw your attention to specific footnotes which are located at the bottom of the page or below specified charts.

Examples:

A,B,C etc. = Special Comments

NOTE: = General information pertaining to that specific page

NLA = No Longer Available

## HARDWARE MEASUREMENTS

The measurements for the hardware will be listed as follows:

Screws, Bolts Diameter X Thread Count/Pitch X Length

Washers Inside Diameter X Outside Diameter X Thickness

Spacers Inside Diameter X Outside Diameter X Length

For your convenience, we have supplied an area for you to list your Invacare Representatives.

Name	Phone Numbers

©2008 Invacare Corporation, Elyria, Ohio. Invacare, Yes, you can., the Medallion Design, and Storm Series are registered trademarks of Invacare Corporation; Ranger II is a trademark of Invacare Corporation; Tash is a registered trademark of Tash International Inc.; Therafin is a registered trademark of W/R/ Medical Electronics Co.; Bussman is a registered trademark of Cooper Industries; MIDI is a registered trademark of Littelfuse Inc.; and Dynamic is a registered trademark of Dynamic Controls Limited.

# TABLE of CONTENTS

Description	Page Number
Accessories - Miscellaneous .....	134
Accessories - Oxygen Holder Assembly .....	135
Accessories - Power Wheelchair Tool Kit .....	136
Arms, Adjustable Height, Removable, Non-Reclining (After 9/30/00) .....	39
Arms, Adjustable Height, Removable, Non-Reclining (Before 10/1/00 and All Recliners) .....	37
Arms, Fixed Height, Removable, Non-Reclining (After 9/30/00) .....	43
Arms, Fixed Height, Removable, Non-Reclining (Before 10/1/00 and All Recliners) .....	41
Back Canes and Attaching Hardware (After 9/30/00) .....	20
Back Canes and Attaching Hardware (Before 10/1/00) .....	17
Back, Recliner Assembly .....	29
Battery Boxes and Trays .....	57
Battery Charger and Harnesses .....	59
Casters and Forks .....	45
Crossbraces and Seat Extensions .....	14
Electronics - COM12 and COM34 .....	125
Electronics - MKIV Controller, Programmer and Attaching Hardware .....	121
Electronics - MKIV Displays .....	127
Electronics - MKIV Joystick Mounting Hardware and Joystick Accessories .....	109
Electronics - MKIV Joystick Options .....	129
Electronics - MKIV Joysticks RII, RX, A, A+, TCHJOY .....	104
Electronics - MKIV Joysticks PS, PFS and PSR .....	107

# TABLE of CONTENTS

<b>Description</b>	<b>Page Number</b>
Electronics - MKIV Sip-N-Puff/ Digital Interface .....	123
Electronics - MKIV Swivel Joystick Hardware .....	111
Electronics - MKVI Mid-Line Swing Bracket Assembly .....	113
Electronics - Quad Link Assembly (Before 4/07/06) .....	115
Electronics - Quad Link Assembly (QL) (After 4/06/06) .....	118
Electronics - Tash and Therafin Accessories .....	132
Frame Finishes, Touch-Up Paints and Upholstery Colors .....	5
Frames, Side and Hardware (After 9/30/00) .....	12
Frames, Side and Hardware (Before 10/1/00) .....	10
Front Rigging - Adjustable Angle Footplate Assembly, AT5543 - PW93, PW93E .....	94
Front Rigging - Calf Pads and Attaching Hardware .....	84
Front Rigging - Footrest and Legrest Accessories .....	100
Front Rigging - Footrest Supports - P93 .....	64
Front Rigging - Footrest Supports - P93E .....	72
Front Rigging - Footrest Supports - P93M .....	76
Front Rigging - Footrest Supports - P93ST .....	68
Front Rigging - Footrest Supports - PW93 .....	66
Front Rigging - Footrest Supports - PW93E .....	74
Front Rigging - Footrest Supports - PW93ST .....	70
Front Rigging - Legrest Release Handles and Ratchet Assembly .....	82
Front Rigging - Legrest Supports - P904A .....	78

# TABLE of CONTENTS

<b>Description</b>	<b>Page Number</b>
Front Rigging - Legrest Supports - PAS4A/PAL4A .....	80
Front Rigging - One Piece Wooden Footboard - (S1263) For P93, P93E, P93M, PW93, PW93E	96
Front Rigging - Pivot/ Slide Tube and Footplate - P93ST, PW93ST .....	90
Front Rigging - Pivot/ Slide Tube and Footplate - P904, PAL4A, PAS4A .....	92
Front Rigging - Pivot/ Slide Tube and Footplate - P93, P93E, P93M .....	86
Front Rigging - Pivot/ Slide Tube and Footplate - PW93, PW93E .....	88
Front Rigging - Reference Chart .....	61
Headrest Extension (9110L) .....	21
Motor, 2-Pole and Gearbox .....	51
Motor, 4-Pole and Gearbox .....	54
Packaging, Literature and Decals .....	8
Solid Folding Seats .....	35
Upholstery, Back Non-Recliner (After 9/30/00) .....	25
Upholstery, Back Non-Recliner (Before 10/01/00) .....	23
Upholstery, Recliner Back, Headrests and Pillows .....	32
Upholstery, Seat .....	27
Wheel Lock .....	49
Wheels, Rear and Anti-Tippers .....	47

# Frame Finishes, Touch-Up Paints and Upholstery Colors

## Frame Finishes and Touch-Up Paints

Color Number	Part Number	Bottle Size	Color
02P	1031452	.6 oz.	Pink Pearl
06P	1031454	.6 oz.	Super Teal
08P	1031456	.6 oz.	Deep Purple
17P	1046319	.6 oz.	Cobalt Blue
22P	1033376	.6 oz.	Anthracite
24P	1031450	.6 oz.	Wet Black
29P	1031447	.6 oz.	White
30P	1031448	.6 oz.	Sunny Yellow
31P	1031453	.6 oz.	Lollipop Pink
33P	1031455	.6 oz.	Red
34P	1046327	.6 oz.	Flat Black
61P	1046321	.6 oz.	Electric Red
See Note(s) A	See Note(s) A		See Note(s) A
62P	1046320	.6 oz.	Electric Blue
See Note(s) A	See Note(s) A		See Note(s) A
64P	1046324	.6 oz.	Metallic Blue
See Note(s) A	See Note(s) A		See Note(s) A
65P	1046323	.6 oz.	Metallic Green
See Note(s) A	See Note(s) A		See Note(s) A
69P	1101320-NLA	.6 oz.	Teflon Black
71P	N/A	N/A	Silver Vein
80P	1073892	.6 oz.	Evergreen with Navy
83P	1073895	.6 oz.	Royal Blue with Grape
84P	1073896	.6 oz.	Lavender
101P	1101325	.6 oz.	Jeweled Green
102P	1101327	.6 oz.	Denim Blue
103P	1101324	.6 oz.	Mocha Frost
104P	1101316	.6 oz.	Electric Teal
105P	1101326	.6 oz.	Midnight Blue

NOTE: A - Veiling is not available on these colors.

# Frame Finishes, Touch-Up Paints and Upholstery Colors

## Sparkle Frame Finishes

Color Number	Color
72P	Twilight Sparkle
73P	Gold Sparkle
74P	Green Sparkle
75P	Blue Sparkle
76P	Red Sparkle
88P	Wet Black with Twilight Sparkle

## Veil Options

Color Number	Color
13V	Dark Purple Veil
67V	Gold Veil
19V	Green Veil
15V	Grey Veil

# Frame Finishes, Touch-Up Paints and Upholstery Colors

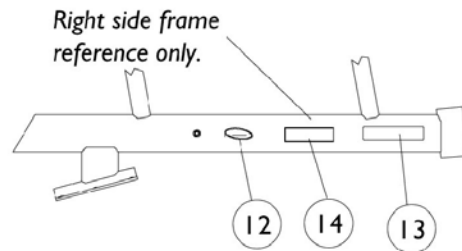
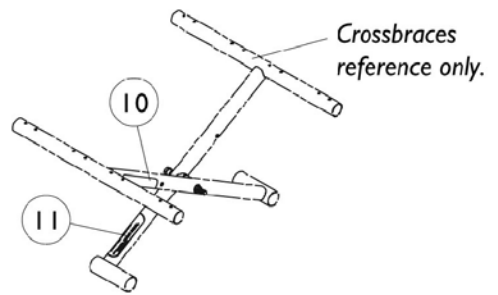
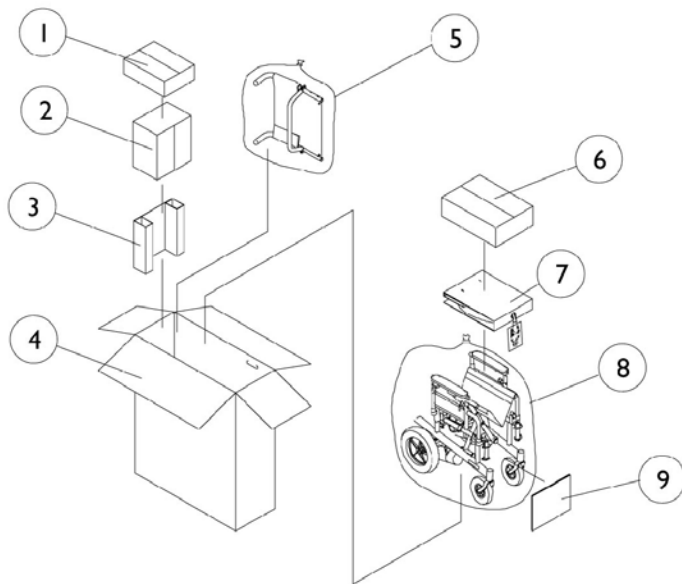
## Upholstery Colors

Vinyl Colors	Nylon Colors
U67 Black	U240 Black
U75 Dove Grey	
U85 Dark Blue	
U86 Ruby	
U97 Sky Blue	
U88 Camel	



# Packaging, Literature and Decals

**NOTE:** When adjusting or replacing parts, please refer to your Owner's Manual for assistance.



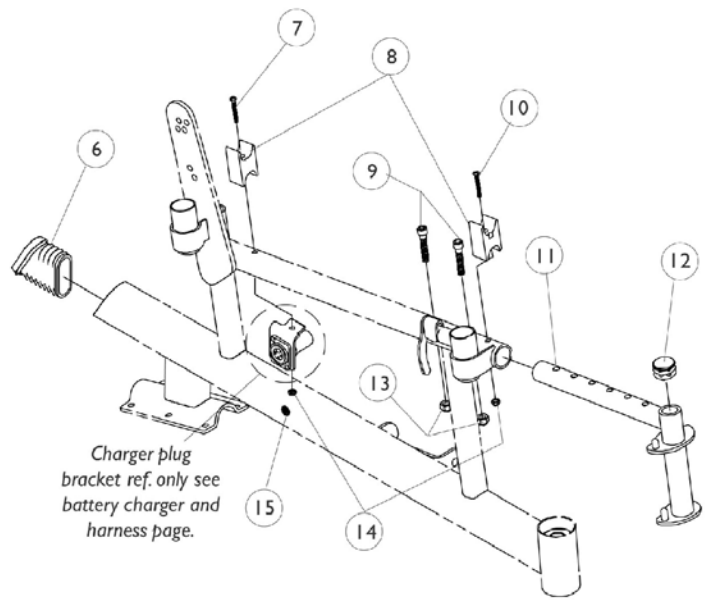
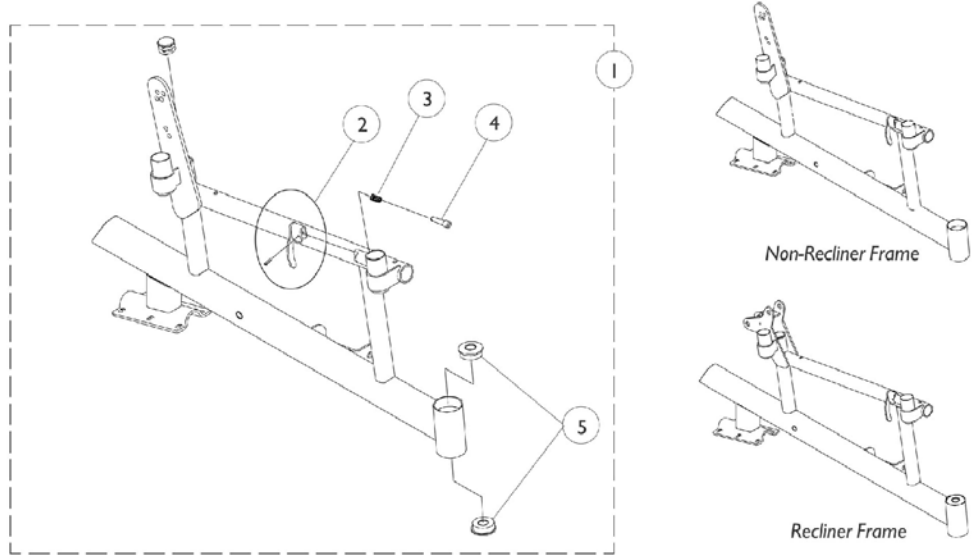
# Packaging, Literature and Decals

**NOTE: When adjusting or replacing parts, please refer to your Owner's Manual for assistance.**

Item Number	Note	Part Number	Description	Quantity Per	
				Package	Assembly
1		40131X148	Carton, Hardware	1	1
2		1023167	Carton, Battery Boxes	1	1
3		1023166-NLA	Insert	1	1
4		1074355	Carton	1	1
5		1015592	Bag, Poly (72" L x 35" W x 19" D)	1	1
6		40131X011	Carton, Front Riggings	1	1
7		1023165	Insert	1	1
8		1021866	Bag, Poly (15" Wide x 26" Long)	1	1
9		40131X039	Insert	1	1
10		1035900	Decal, Transportation	1	1
11		1119281	Name Plate, Patent Numbers	1	1
12	C	1090146	Decal, Invacare 3-D Logo (1-19/32" L)	1	2
13	B,C	1095224	Decal, Model, Ranger II (Black)	1	2
13	C	1095225	Decal, Model, Ranger II (White)	1	2
14		1097104-NLA	Decal, 250-S	1	2
	A	1028343	Operating Instructions, MKIV	1	1
	A	1095272	Manual, Instruction MKIV RII	1	1
	A	1058610	Owner's Manual	1	1

NOTE: A - Not Shown  
 B - Used for chairs with frame colors 02P, 29P, 30P and 84P only.  
 C - Invacare logo added and model decals changed 1/11/00. When replacing side frames before 1/11/00 order decals in pairs to match.

# Side Frames and Hardware (Before 10/1/00)



# Side Frames and Hardware (Before 10/1/00)

## Item #1 - Side Frames and Hardware

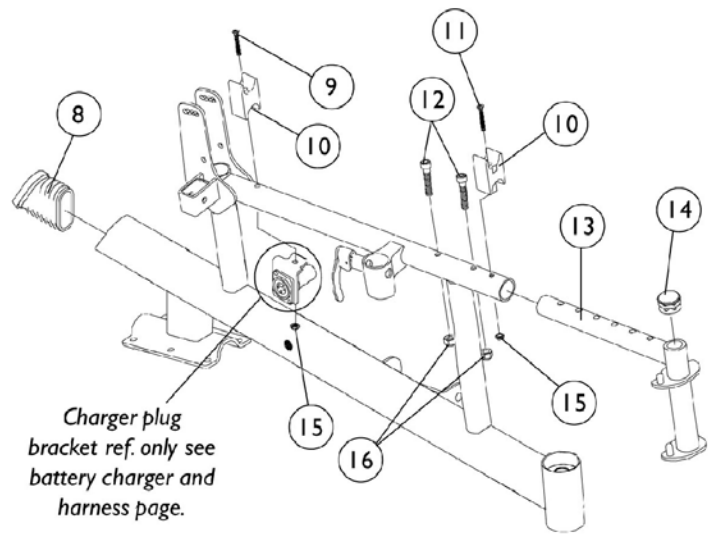
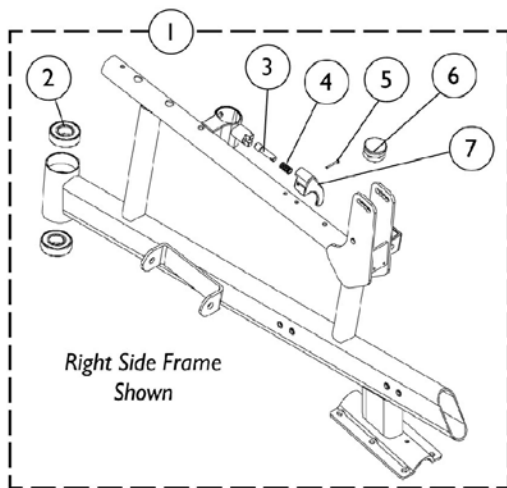
Frame Type	Non-Recliner	Recliner
Adult - Right	8881058593 See Note(s) A, B	8881062457 See Note(s) A, B
Adult - Left	8881058594 See Note(s) A, B	8881062458 See Note(s) A, B
Hemi - Right	8881058599 See Note(s) A, B	8881062459 See Note(s) A, B
Hemi - Left	8881058600 See Note(s) A, B	8881062460 See Note(s) A, B

NOTE: A - Specify frame finish when ordering. See page titled "Frame Finishes, Touch-Up Paints and Upholstery Colors."  
B - Decals not included with frame. See page titled "Packaging, Literature and Decals."

Item Number	Note	Part Number	Description	Quantity Per	
				Package	Assembly
1		See Chart	Item #1 - Side Frames and Hardware	1	1
2		1090768	Kit, Lock Handle w/Rivets (both LT & RT side)	2	1
3		47471X074	Spring, Arm Lock	1	1
4		1028594	Pin, Arm Lock	1	1
5		40117X006	Bearing (5/8")	1	2
6		1059371	End Cap, Oval	1	1
7	A	1085124	Screw, Socket Flat Head (#10-32 x 1-3/4")	1	1
8		1007541	Seat Guide	1	2
9		1003545	Screw, Socket Head (1/4-20 x 1-1/4")	1	2
10	A	1085134	Screw, Socket Flat Head C'Sunk (#10-32 x 1-5/8")	1	1
11		1060099	Front Rigging Hanger - Right	1	1
11		1060100	Front Rigging Hanger - Left	1	1
12		1027097	Plug Button, Black (3/4")	1	1
13		1025736	Locknut (1/4-20)	1	2
14		1025731	Locknut (#10-32)	1	2
15		1058520	Fastener, Panel Snap-In	1	1

NOTE: A - Screws changed 9/16/99 and serve as a direct replacement for chairs manufactured before 9/16/99.

# Side Frames and Hardware (After 9/30/00)



# Side Frames and Hardware (After 9/30/00)

## Item # 1 - Side Frames and Hardware

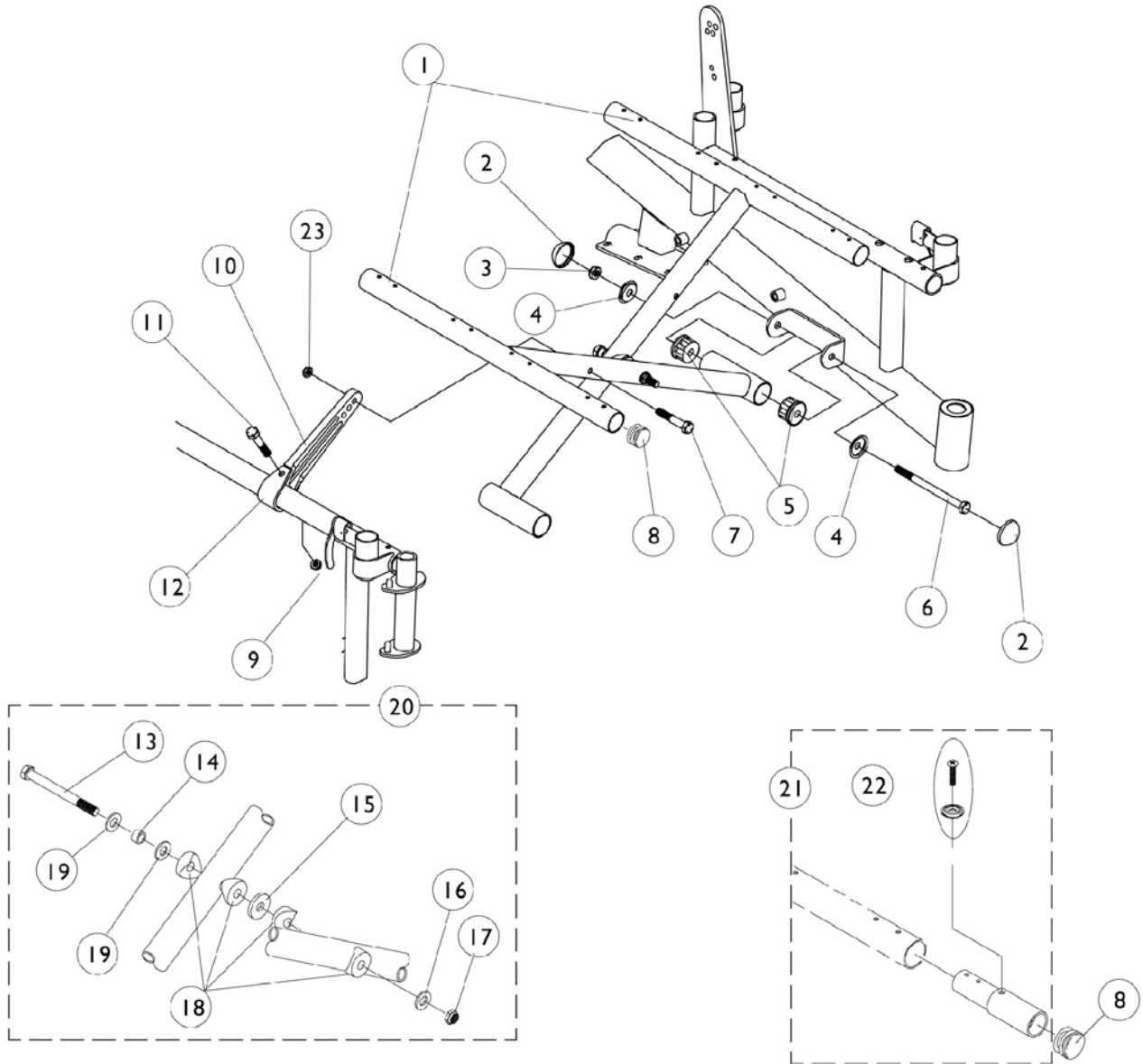
Frame Type	Non-Recliner	Recliner
Adult - Right	8881101699 See Note(s) A, B	8881062457 See Note(s) B, A
Adult - Left	8881101700 See Note(s) A, B	8881062458 See Note(s) B, A
Hemi - Right	8881101701 See Note(s) A, B	8881062459 See Note(s) B, A
Hemi - Left	8881101702 See Note(s) A, B	8881062460 See Note(s) B, A

NOTE: A - Specify frame finish when ordering. See page titled "Frame Finishes, Touch-Up Paints and Upholstery Colors."  
B - Decals not included with frame. See page titled "Packaging, Literature and Decals."

Item Number	Note	Part Number	Description	Quantity Per	
				Package	Assembly
1	A	See Chart	Item # 1 Side Frames and Hardware	1	1
2		40117X006	Bearing (5/8")	1	2
3		1028594	Pin, Arm Lock	1	1
4		47471X074	Spring, Arm Lock	1	1
5		1089723	Rivet, Tubular	1	1
6		1029501	Plug Button, Black (1")	1	1
7		1090768	Kit, Lock Handle w/Rivets (both LT & RT side)	2	1
8		1059371	End Cap, Oval	1	1
9		1085124	Screw, Socket Flat Head (#10-32 x 1-3/4")	1	2
10		1007541	Seat Guide	1	2
11		1085134	Screw, Socket Flat Head C'Sunk (#10-32 x 1-5/8")	1	2
12		1003545	Screw, Socket Head (1/4-20 x 1-1/4")	1	2
13		1060099	Front Rigging Hanger - Right	1	1
13		1060100	Front Rigging Hanger - Left	1	1
14		1027097	Plug Button, Black (3/4")	1	1
15		1025731	Locknut (#10-32)	1	2
16		1025736	Locknut (1/4-20)	1	2

NOTE: A - Includes items 2-7

# Crossbraces and Seat Extensions



# Crossbraces and Seat Extensions

## Item #1 - Crossbraces

Crossbrace Type	14" Wide	16" Wide	18" Wide	20" Wide
Hemi	1064405	1071545	1071546	1071547
	See Note(s) A	See Note(s) A	See Note(s) A	See Note(s) A
Adult	1064409	1064410	1064411	1064412
	See Note(s) A	See Note(s) A	See Note(s) A	See Note(s) A

NOTE: A - Decals are not included with Crossbraces. See page titled "Packaging, Literature and Decals."

NOTE: When replacing crossbraces for chairs built before 6/18/99 using seat extensions, a new seat extension kit must be ordered.

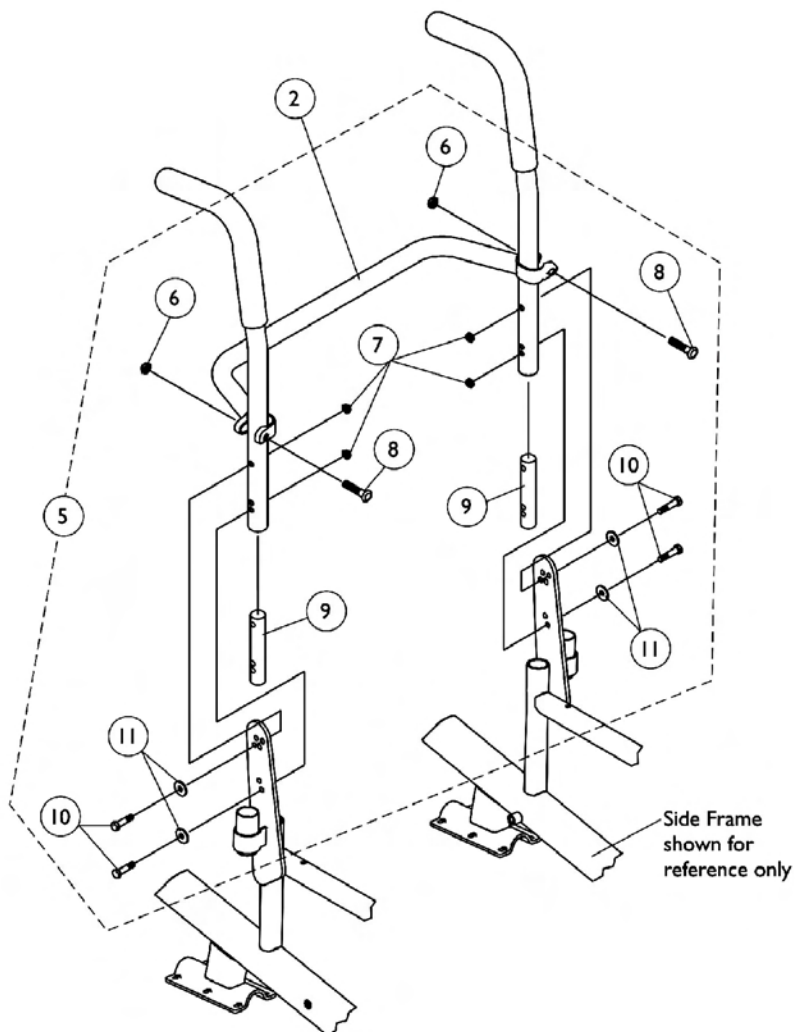
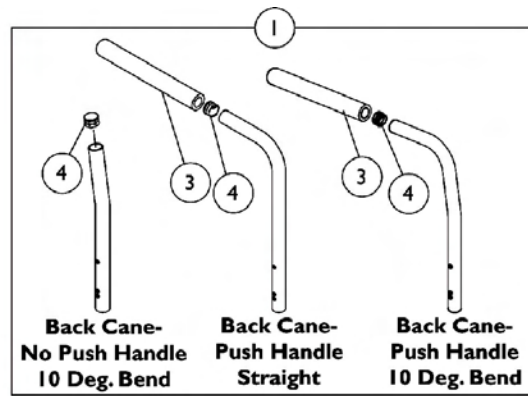


## Crossbraces and Seat Extensions

Item Number	Note	Part Number	Description	Quantity Per	
				Package	Assembly
1		See Chart	Item #1 - Crossbraces	1	2
2		1028835	Cap, Hub (Black)	1	4
3		60264X001	Locknut (5/16-24)	1	1
4		1028491	Washer, Caplugs (11/32" I.D. x 1" O.D.)	1	4
5		1056708	Plug, Pivot Tube	1	4
6		1038179	Screw, Hex Head (5/16-24 x 4-1/4")	1	2
7		1024793	Screw, Hex Head (1/4-20 x 1-3/4")	1	2
8		1029501	Plug Button, Black (1")	1	4
9		1025195	Locknut (1/4-20)	1	1
10		1057381	Pivot Link, 14-15" Wide - Hemi	1	2
10		1057382	Pivot Link, 16-18" Wide - Hemi	1	2
10		1057383	Pivot Link, 19-20" Wide - Hemi	1	2
10		1057384	Pivot Link, 14-15" Wide - Adult	1	2
10		1057385	Pivot Link, 16-18" Wide - Adult	1	2
10		1057386	Pivot Link, 19- 20" Wide - Adult	1	2
11		1030949	Screw, Hex Head (1/4-20 x 1-1/2")	1	2
12		1057828	Strap, Pivot Link	1	2
13		1098625	Screw, Hex Head (5/16-24 x 3-1/2")	1	1
14		1037913	Bushing (5/16 x 7/16 x 9/32")	1	1
15		1016301	Washer, Nylon (5/16 x 7/8 x 1/8")	1	1
16		1025704	Washer, Flat (5/16 x 5/8 x 1/16")	1	1
17		1025730	Locknut (5/16-24)	1	1
18		1016263	Spacer, Coved (3/4 x 1 x 1/2")	1	4
19		16308X000	Washer, Flat (5/16 x 11/16 x 1/16")	1	2
20		1057832	Hardware, Crossbrace	1	1
21		1058616	Seat Extension Kit - 1" (Pair)	2	1
21		1058617	Seat Extension Kit - 2" (Pair)	2	1
22		1027057	Upholstery Hdwr. Kit -Screws w/ Washers 8 ea. (#10 x 7/8")	2	1
22		1076284	Screw w/ washer (#10 x 7/8")	1	2
22		40163X003	Screw, Phillips Pan Head (#10 X 5/8")	1	2
23		1025736	Locknut (1/4-20)	1	1
	A,B	1057830	Hardware, Crossbrace Pivot Tube	1	1

NOTE: A - Includes Items 2-6  
B - Not Shown

# Back Canes and Attaching Hardware (Before 10/1/00)



## Back Canes and Attaching Hardware (Before 10/1/00)

Item Number	Note	Part Number	Description	Quantity Per	
				Package	Assembly
1		See Chart	#1 Back Cane Assemblies	1	2
2		See Chart	#2 Spreader Bar	1	1
3		1135506	Package, Foam Hand Grips (9" Long)	10	1
4		1130582	Package, Plug Buttons, Black (7/8")	10	1
5	A	1059389	Kit, Back Cane Attaching Hardware	2	1
6			Locknut (5/16-24)	1	2
7			Locknut (1/4-20)	1	4
8			Screw w/ Lug (5/16-24 x 1-3/8")	1	2
9			Insert, Non-Threaded Back Cane (For Back Heights 20" and Lower)	1	2
10			Screw, Hex Head (1/4-20 x 1-1/2")	1	4
11			Washer (1/4 x 23/32 x 1/16")	1	4

NOTE: A - Includes Items 6-11

# Back Canes and Attaching Hardware (Before 10/1/00)

## #1 Back Cane Assemblies

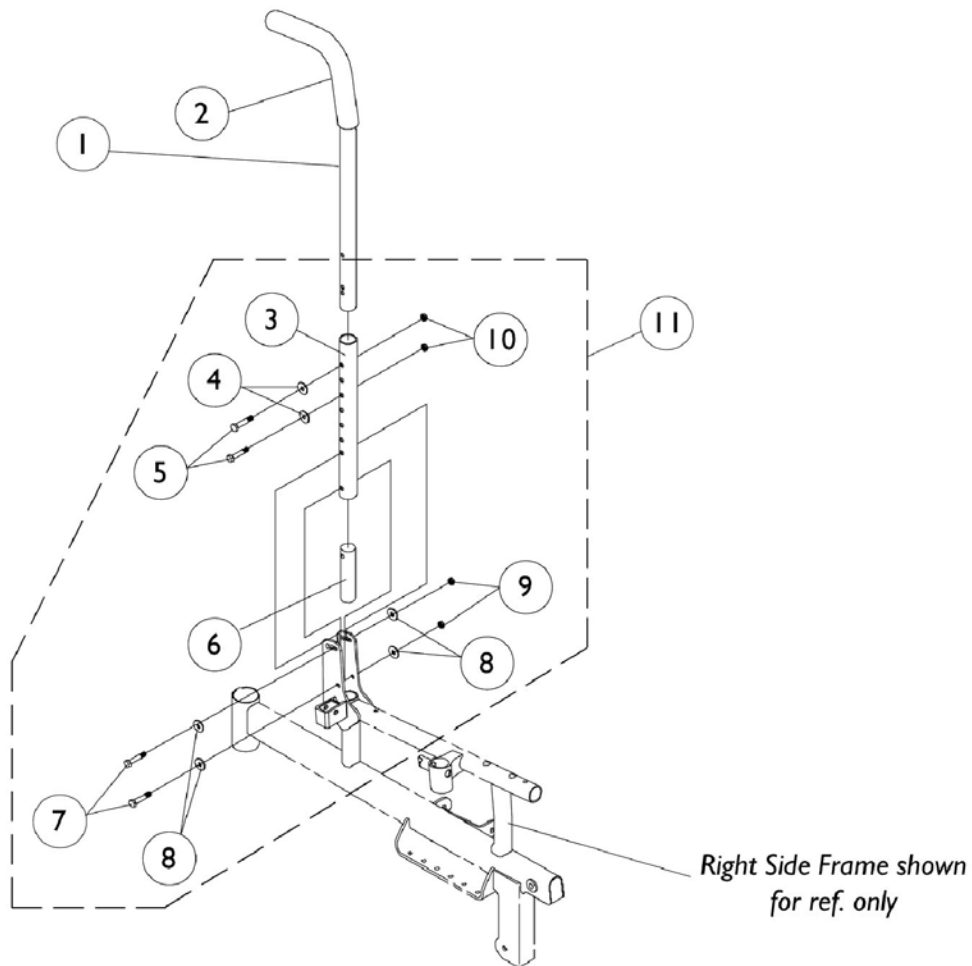
Back Height	Back Cane- No Push Handle 10 Deg. Bend	Back Cane- Push Handle Straight	Back Cane- Push Handle 10 Deg. Bend
16"	1048992	1048558	1045575
17"	1048993	1048559	1045576
18"	1048994	1048560	1045577
19"	1048995	1048561	1045578
20"	1048996	1048562	1045579

NOTE: Back Cane Assemblies include Foam Grips and Plug Buttons where shown

## #2 Spreader Bar

Chair Width	Part Number
14"	1043871
16"	1043873
18"	1043875
20"	1043877

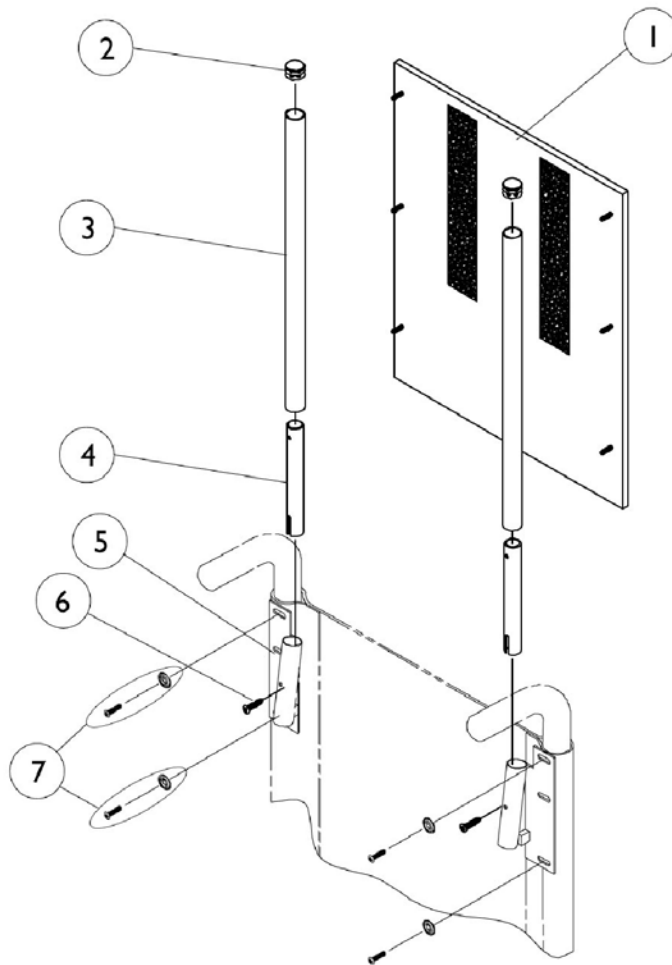
# Back Canes and Attaching Hardware (After 9/30/00)



Item Number	Note	Part Number	Description	Quantity Per	
				Package	Assembly
1		1028372	Back Cane Assembly - 10 Degree Bend	1	2
1		1042402	Back Cane Assembly - Straight	1	2
2		1006229	Grip, Foam (8")	1	2
3		1071565-NLA	Tube, Rear Upright, Black	1	2
4		1026907	Washer (1/4 x 1/2 x 1/16")	1	4
5		1057955	Screw, Hex Head (1/4-20 x 1-1/4")	1	4
6		1071488-NLA	Insert, Threaded	1	2
7		1055348	Screw, Hex Head (1/4-28 x 1-3/4")	1	4
8		1026900	Washer (1/4 x 23/32 x 1/16")	1	8
9		1065362	Locknut (1/4-28)	1	1
10		1025195	Locknut (1/4-20)	1	1
11	A	1071564-NLA	Hardware, Back Cane Attaching (Pair)	2	1

NOTE: A - Includes Items 3-10

# Headrest Extension (9110L) (For Non-Recliners Only)



**Item #1 - Headrest Upholstery**

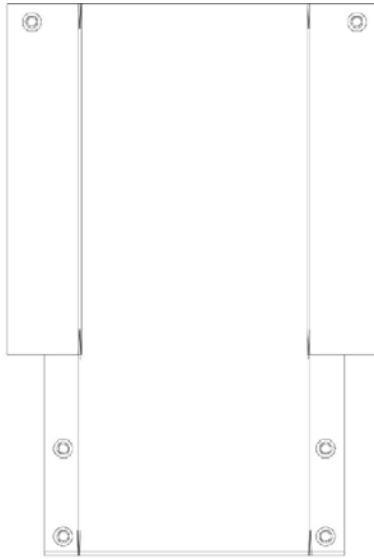
Chair Width	Nylon	Vinyl
14" W	8881052586	8881054633 See Note(s) A
16" W	8881052588	8881054638 See Note(s) A
18" W	8881052590	8881054637 See Note(s) A
20" W	8881052592	8881054639 See Note(s) A

NOTE: A - Specify upholstery color when ordering. See page titled "Frame Finishes, Touch-Up Paints and Upholstery Colors."

## Headrest Extension (9110L) (For Non-Recliners Only)

Item Number	Note	Part Number	Description	Quantity Per	
				Package	Assembly
1		See Chart	#1 - Headrest Upholstery	1	1
2		1027095	Plug Button, Black (7/8")	1	2
3		1054605	Tube, Headrest Extension	1	2
4		1028756	Tube, Insert	1	2
5		1028752	Bracket, Headrest, Right	1	1
5		1028753	Bracket, Headrest, Left	1	1
6		1028484	Screw, Phillips Pan Head Tap (#10-32 x 1/2")	1	2
7		1031095	Screws with Washers (#10-16 x 7/8")	1	4
7		1076284	Screw w/ washer (#10 x 7/8")	4	1

# Non-Recliner Back Upholstery (Before 10/01/00)



**Back Upholstery**  
**Single Liners & Dual Liners**  
**Nylon/Vinyl**  
**Single Liners**

Chair Width	Nylon 16-17" Height	Nylon 18-20" Height	Vinyl 16-17" Height See Note(s) A	Vinyl 18-20" Height See Note(s) A
14" Wide	1045173	1045205	8881045076 See Note(s) A	8881045060 See Note(s) A
16" Wide	8881045175	1045207	8881045078 See Note(s) A	8881045062 See Note(s) A
18" Wide	1045177	1045209	8881045080 See Note(s) A	8881045064 See Note(s) A

NOTE: A - Specify upholstery color when ordering. See page titled "Frame Finishes, Touch-Up Paints and Upholstery Colors."



# Non-Recliner Back Upholstery (Before 10/01/00)

## Dual Liners

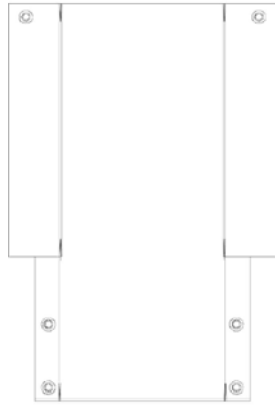
Chair Width	Nylon 16-17" Height	Nylon 18-20" Height	Vinyl 16-17" Height See Note(s) A	Vinyl 18-20" Height See Note(s) A
14" Wide	1045178	1045210	8881045081 See Note(s) A	8881045065 See Note(s) A
16" Wide	1045180	1045212	8881045083 See Note(s) A	8881045067 See Note(s) A
18" Wide	1045182	1045214	8881045085 See Note(s) A	8881045069 See Note(s) A
20" Wide	1045184	1045216	8881045087 See Note(s) A	8881045071 See Note(s) A

NOTE: A - Specify upholstery color when ordering. See page titled "Frame Finishes, Touch-Up Paints and Upholstery Colors."  
NOTE: Dual line back upholstery is used with chairs that have a seat deeper than 17" or back wider than 18."

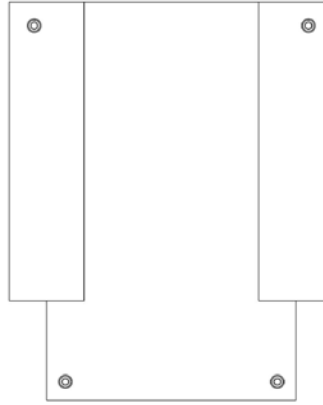
## Back Upholstery Hardware

Part Number
1029850
Consists of: (2) each Screws with Washers (#10 x 7/8") and (2) each Cable Ties.

## Upholstery, Back Non-Recliner (After 9/30/00)



Back Upholstery  
Nylon



Back Upholstery  
Vinyl

Chair Width	Nylon 16-20" Height	Vinyl 16-20" Height
14" Wide	1060611	8881058352  See Note(s) A
16" Wide	1060612	8881058353  See Note(s) A
18" Wide	1060613	8881058354  See Note(s) A
20" Wide	1060614	8881058355  See Note(s) A

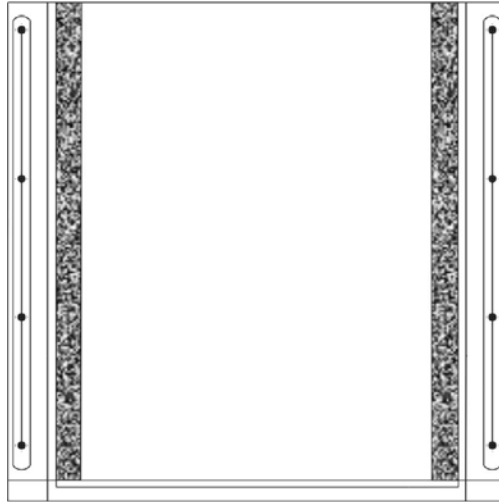
NOTE: A - Specify upholstery color when ordering. See page titled "Frame Finishes, Touch-Up Paints and Upholstery Colors."

# Upholstery, Back Non-Recliner (After 9/30/00)

## Back Upholstery Hardware

Part Number
1029850
Consists of: (2) each Screws with Washers (#10 x 7/8") and (2) each Cable Ties.

# Seat Upholstery



Seat Upholstery  
Nylon/Vinyl

## Nylon

Chair Width	16" D	17" D	18" D
14" W	1016315	1016316	1016317
16" W	1016321	1016322	1016323
18" W	1016327	1016328	1016329
20" W	1017643	1017646	1017649

# Seat Upholstery

## Vinyl

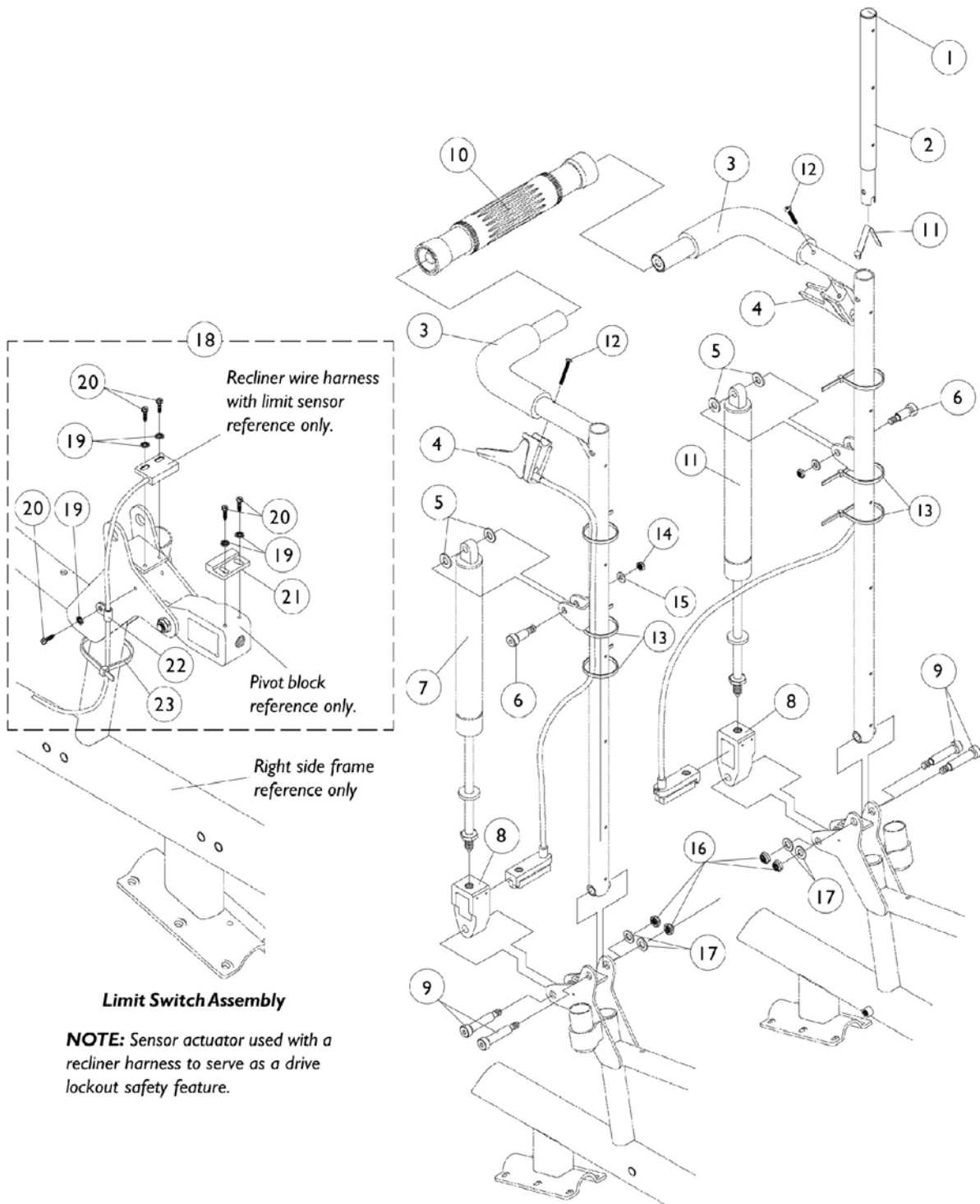
Chair Width	16" D	17" D	18" D
14" W	8881024417 See Note(s) A	8881024418 See Note(s) A	8881024419 See Note(s) A
16" W	8881024423 See Note(s) A	8881024424 See Note(s) A	8881024134 See Note(s) A
18" W	8881024132 See Note(s) A	8881024137 See Note(s) A	8881024138 See Note(s) A
20" W	8881024129 See Note(s) A	8881024141 See Note(s) A	8881024142 See Note(s) A

NOTE: A - Specify upholstery color when ordering. See page titled "Frame Finishes, Touch-Up Paints and Upholstery."

## Seat Upholstery Hardware

Part Number
1027057
Consists of: (8) each Screws with Washers (#10 x 7/8")

# Recliner Back Assembly



# Recliner Back Assembly

## Item #3 - Back Cane with Grip

Back Height	14" W Right	14" W Left	16" W Right	16" W Left	18 - 20" W Right	18 - 20" W Left
18" H	1053272	1053273	1052079	1052080	1052089	1052090
20" H	1053274	1053275	1052081	1052082	1052091	1052092
22" H	1053276	1053277	1052083	1052084	1052093	1052094
24" H	1053278	1053279	1052085	1052086	1052095	1052096
26" H	1053280	1053281	1052087	1052088	1052097	1052098

## Recliner Back Assembly

Item Number	Note	Part Number	Description	Quantity Per	
				Package	Assembly
1		1027095	Plug Button, Black (7/8")	1	2
2		1052997	Tube, Headrest with Plug Button, without Snap Buttons - Right	1	1
2		1052998	Tube, Headrest with Plug Button, without Snap Buttons - Left	1	1
3		See Chart	Item #3 - Back Cane with Grip	1	1
4	B,F	1050214	Cable with Trigger	1	2
4	B,G	1050215	Cable with Trigger	1	2
4	B,H	1050216	Cable with Trigger	1	2
5		1026032	Washer, Nylon (11/32 x 11/16 x 1/16")	1	4
6		1050153	Screw, Socket Head Shoulder (5/16 x 7/8")	1	2
7	D	1050154	Lock Cylinder, Recline	1	2
7	E	1050306	Lock Cylinder	1	2
8		1050136	Pivot Block	1	2
9		1062604	Screw, Shoulder Socket Head (3/8 x 1-1/4")	1	4
10		1050293	Bar, Spreader, Black (14-20")	1	1
11		1024713	Spring, Torsion w/ Button	1	2
12		1025714	Screw, Phillips Pan Head (#10-32 x 1-1/8")	1	1
12	C	1091417	Screw, Phillips Pan Head (#10-24 x 1-1/4")	1	2
13		1021260	Cable Tie (5-5/8" Long)	1	6
14		1025736	Locknut (1/4-20)	1	1
15		1026907	Washer (1/4 x 1/2 x 1/16")	1	2
16		1026158	Locknut (5/16-18)	1	4
17		1025704	Washer, Flat (5/16 x 5/8 x 1/16")	1	4
18	A	1062774	Switch, Limit, Assembly	1	1
19		1008525	Washer, Internal Tooth Lock (#4-40)	1	5
20		1025116	Screw, Slotted Hex Head (#4-3/8")	1	5
21		1024001	Sensor, Actuator Switch	1	1
22		1050310	Clamp, Cable	1	1
23		1021260	Cable Tie (5-5/8" Long)	1	1

NOTE: A - Includes Items 19-23  
 B - When ordering cable assembly #1050215 or #1050216 for chairs made before 8/4/99 or #1050214 for chairs made before 2/1/00, item 12 #1091417 must be ordered as well.  
 C - Lever fastener changed 8/4/99 from a "10-32 threaded insert" to a "10-24 tinnerman nut" for item 4 #1050215 and #1050216 and 2/1/00 for #1050214.  
 D - Ranger II Basic - Standard 250 lb. maximum capacity.  
 E - Ranger II Standard - Heavy Duty 300 lb. maximum capacity.  
 F - 26" High Canes  
 G - 22-24" High Canes  
 H - 18 and 20" High Canes



# Recliner Back, Headrests and Pillow Upholstery

## Recliner Back Upholstery

### Nylon - Single Liners

Chair Width	18" H	20" H	22" H	24" H	26" H
14" W	1050312	1050317	1050322	1050327	1050332
16" W	1050314	1050319	1050324	1050329	1050334
18" W	1050316	1050321	1050326	1050331	1050336

## Recliner Back Upholstery

### Nylon - Dual Liners

Chair Width	18" H	20" H	22" H	24" H	26" H
14" W	1050337 See Note(s) A	1050348 See Note(s) A	1050359 See Note(s) A	1050370 See Note(s) A	1050381 See Note(s) A
16" W	1050339 See Note(s) A	1050350 See Note(s) A	1050361 See Note(s) A	1050372 See Note(s) A	1050383 See Note(s) A
18" W	1050341 See Note(s) A	1050352 See Note(s) A	1050363 See Note(s) A	1050374 See Note(s) A	1050385 See Note(s) A
20" W	1050343 See Note(s) A	1050354 See Note(s) A	1050365 See Note(s) A	1050376 See Note(s) A	1050387 See Note(s) A

NOTE: A - Dual liner back upholstery is used with chairs that have a seat deeper than 17" or back wider than 18."

## Headrest

### Nylon

14" W	16" W	18" W	20" W
1054627	1054628	1054629	1055283

## Pillows

### Nylon

14" W	16 - 18" W	20" W
1054894	1054896	8881058104

# Recliner Back, Headrests and Pillow Upholstery

## Nylon Upholstery Hardware

Back Upholstery Hardware	Headrest Upholstery Hardware
1027059	1030441
Part Consists of: (10) each Screw with Washer (#10 x 7/8")	Part Consists of: (6) each Screw with Washer (#10 x 7/8")

### Recliner Back Upholstery

#### Vinyl - Single Liners

Chair Width	18" H	20" H	22" H	24" H	26" H
14" W	8881050561 <i>See Note(s) A</i>	8881050566 <i>See Note(s) A</i>	8881050571 <i>See Note(s) A</i>	8881050576 <i>See Note(s) A</i>	8881050581 <i>See Note(s) A</i>
16" W	8881050563 <i>See Note(s) A</i>	8881050568 <i>See Note(s) A</i>	8881050573 <i>See Note(s) A</i>	8881050578 <i>See Note(s) A</i>	8881050583 <i>See Note(s) A</i>
18" W	8881050565 <i>See Note(s) A</i>	8881050570 <i>See Note(s) A</i>	8881050575 <i>See Note(s) A</i>	8881050580 <i>See Note(s) A</i>	8881050585 <i>See Note(s) A</i>

NOTE: A - Specify upholstery color when ordering. See page titled "Frame Finishes, Touch-Up Paints and Upholstery."

### Recliner Back Upholstery

#### Vinyl - Dual Liners

Chair Width	18" H	20" H	22" H	24" H	26" H
14" W	8881050586 <i>See Note(s) A, B</i>	8881050597 <i>See Note(s) B, A</i>	8881050608 <i>See Note(s) B, A</i>	8881050619 <i>See Note(s) B, A</i>	8881050630 <i>See Note(s) B, A</i>
16" W	8881050588 <i>See Note(s) B, A</i>	8881050599 <i>See Note(s) B, A</i>	8881050610 <i>See Note(s) B, A</i>	8881050621 <i>See Note(s) B, A</i>	8881050632 <i>See Note(s) B, A</i>
18" W	8881050590 <i>See Note(s) B, A</i>	8881050601 <i>See Note(s) B, A</i>	8881050612 <i>See Note(s) B, A</i>	8881050623 <i>See Note(s) B, A</i>	8881050634 <i>See Note(s) B, A</i>
20" W	8881050592 <i>See Note(s) B, A</i>	8881050603 <i>See Note(s) B, A</i>	8881050614 <i>See Note(s) B, A</i>	8881050625 <i>See Note(s) B, A</i>	8881050636 <i>See Note(s) B, A</i>

NOTE: A - Specify upholstery color when ordering. See page titled "Frame Finishes, Touch-Up Paints and Upholstery."  
B - Dual liner back upholstery is used with chairs that have a seat deeper than 17" or back wider than 18."

# Recliner Back, Headrests and Pillow Upholstery

## Headrest

### Vinyl

14" W	16" W	18" W	20" W
8881054630	8881054631	8881054632	8881055291
See Note(s) A	See Note(s) A	See Note(s) A	See Note(s) A
NOTE: A - Specify upholstery color when ordering. See page titled "Frame Finishes, Touch-Up Paints and Upholstery."			

## Pillow

### Vinyl

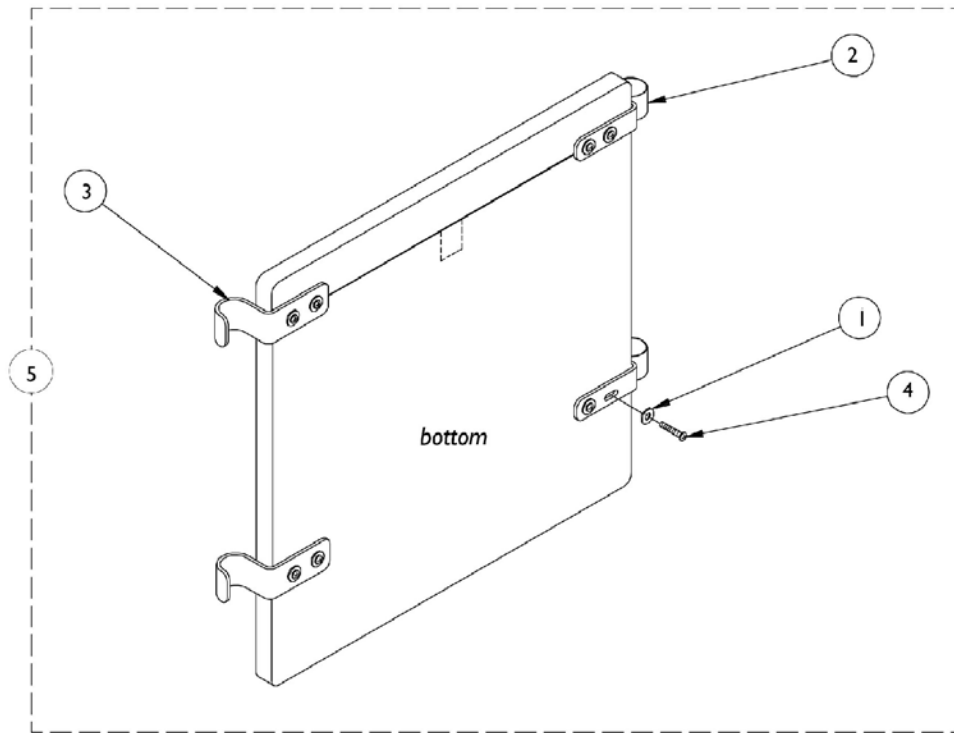
14" W	16 - 18" W	20" W
8881054617	8881054619	8881058107
See Note(s) A	See Note(s) A	See Note(s) A
NOTE: A - Specify upholstery color when ordering. See page titled "Frame Finishes, Touch-Up Paints and Upholstery."		

## Vinyl Upholstery Hardware

Back Upholstery Hardware	Headrest Upholstery Hardware
1027059	1031095
Part consists of: (10) each Screw with Washer (#10 x 7/8")	Part consists of: (4) each Screw with Washer (#10 x 7/8")

# Solid Folding Seats

**NOTE:** Solid Folding Seats measure two inches narrower than actual seat width.



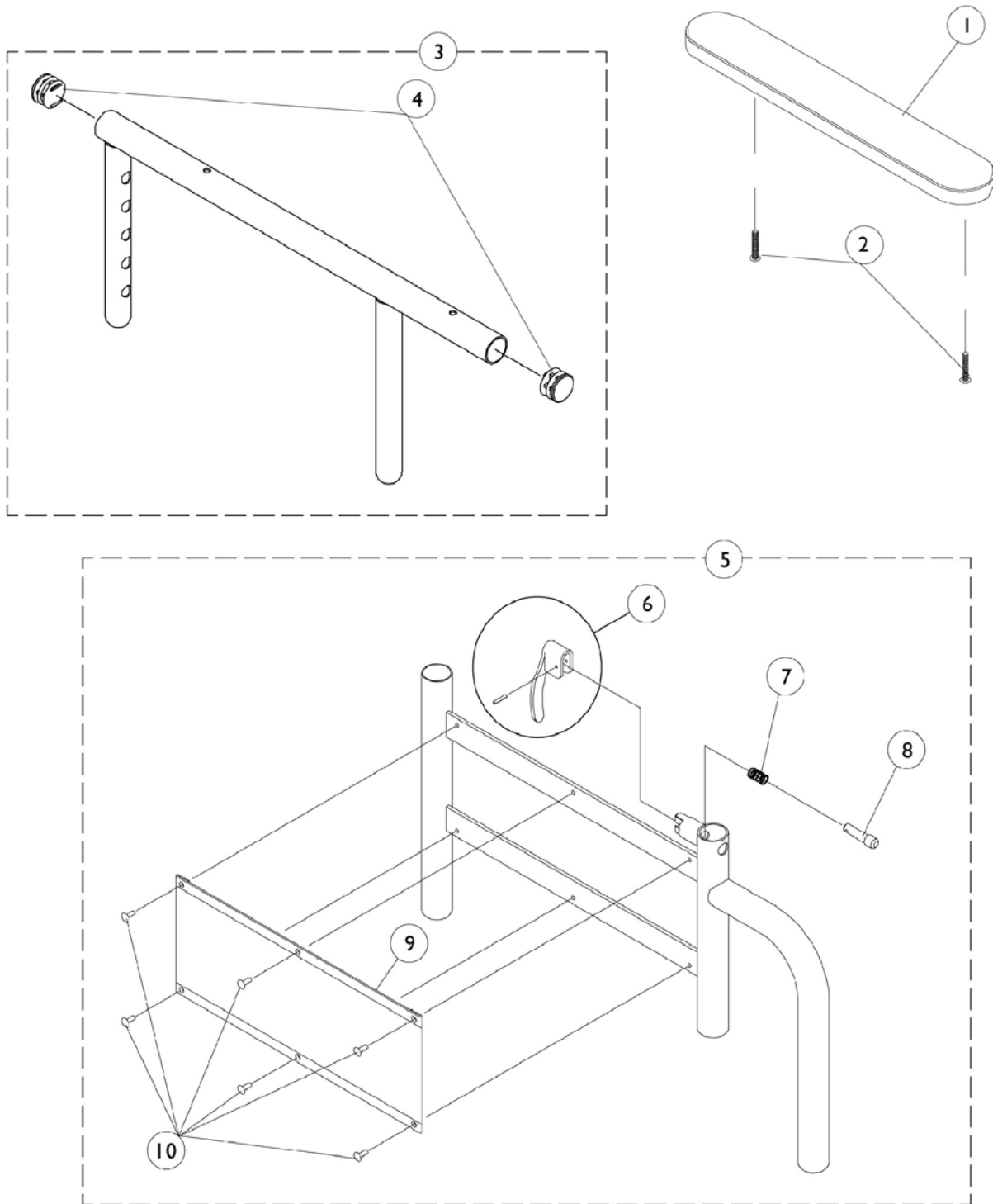
## Solid Folding Seats

**NOTE: Solid Folding Seats measure two inches narrower than actual seat width.**

Item Number	Note	Part Number	Description	Quantity Per	
				Package	Assembly
1		1013218	Washer (#10 Flat)	1	8
2		1016770	Bracket, Seat	1	2
3		1016771	Hook, Seat	1	2
4		40163X008	Screw, Phillips Pan Head (#10-32 x 11/16")	1	1
5	A	8881035937	Solid Folding Seat w/ Hardware (14" W x 16" D), Vinyl	1	1
5	A	8881110378	Solid Folding Seat w/Hdwr (16" W x 16" D) - Vinyl	1	1
5	A	8881110379	Solid Folding Seat w/Hdwr (18" W x 16" D) - Vinyl	1	1
5	A	8881110372	Solid Folding Seat w/Hdwr (20" W x 16" D) - Nylon	1	1
5	A	8881035936	Solid Folding Seat w/ Hardware (20" W x 18" D), Nylon	1	1

**NOTE:** A - Specify upholstery color when ordering. See page titled "Frame Finishes, Touch-Up Paints and Upholstery Colors."

# Adjustable Height, Removable Arms Non-Reclining (Before 10/1/00 and All Recliners)

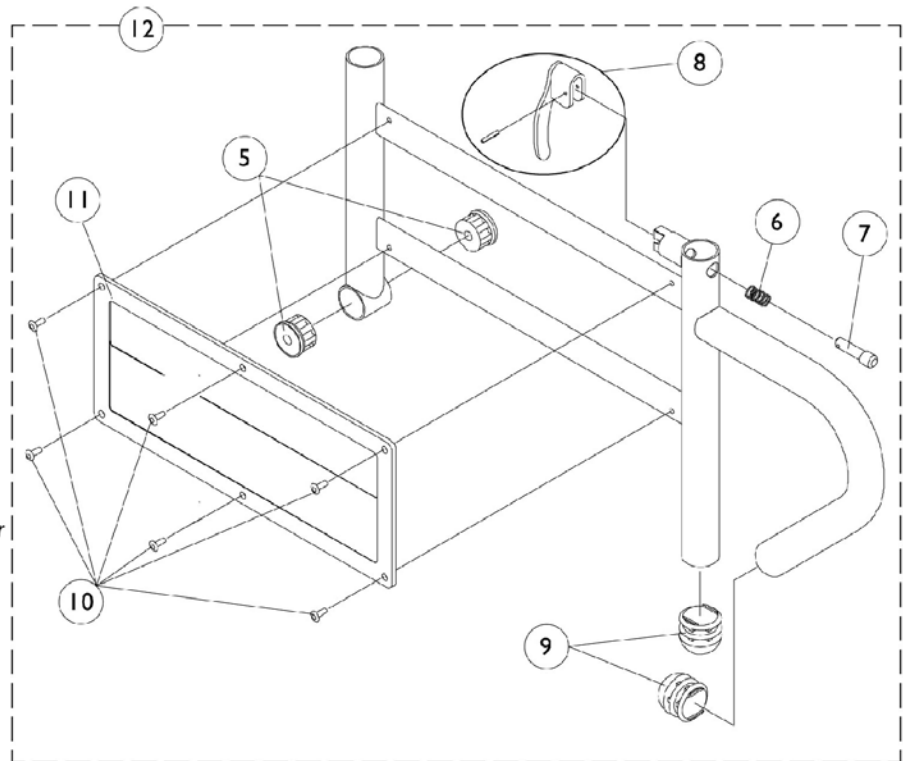
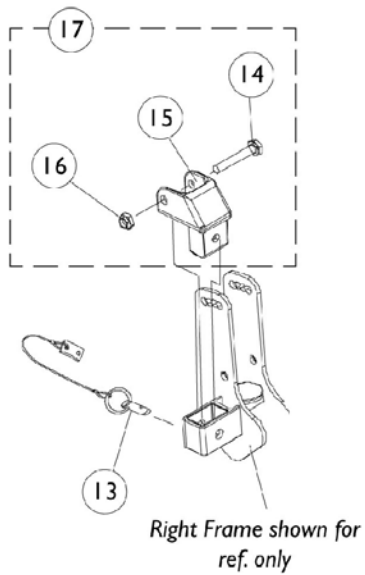
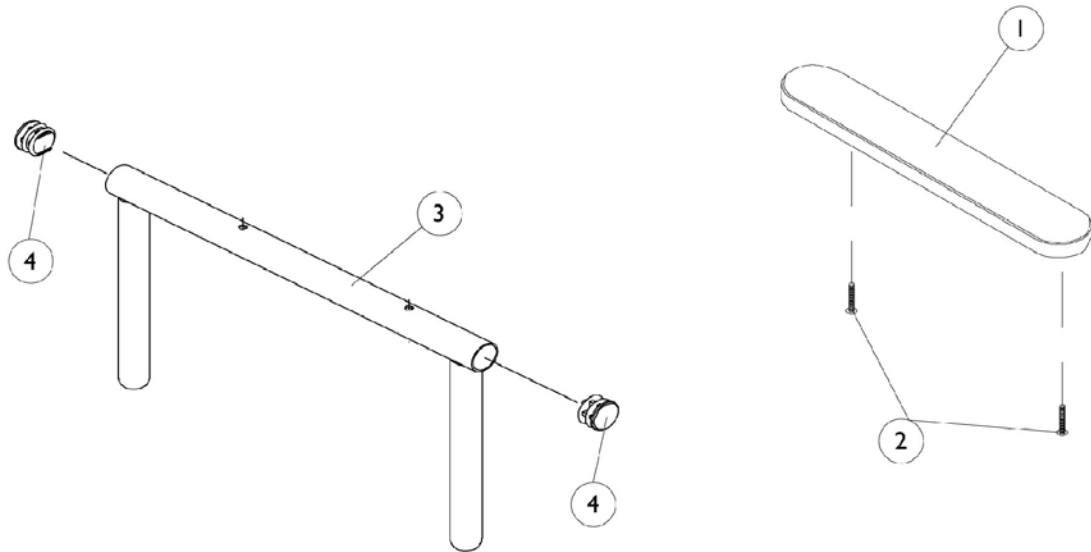


## Adjustable Height, Removable Arms Non-Reclining (Before 10/1/00 and All Recliners)

Item Number	Note	Part Number	Description	Quantity Per	
				Package	Assembly
1	A	8881015932	Arm Pad, Vinyl, Full Length (14" L x 2" W) - Right	1	1
1	A	8881015933	Arm Pad, Vinyl, Full Length (14" L x 2" W) - Left	1	1
1	A	8881011811	Arm Pad, Vinyl, Desk Length (9" L x 2" W)	1	1
2		1055949	Screws, Phillips Pan Head (#10-32 x 1-1/8")	2	1
3		1041522	Arm Tube, Upper with Plug Buttons (Black) - Full Length	1	1
3		1070859	Arm Tube, Upper with Plug Buttons (Black) - Desk Length	1	1
3		1057736	Arm Tube, Upper with Plug Buttons (Chrome) - Full Length	1	1
3		1057734	Arm Tube, Upper with Plug Buttons (Chrome) - Desk Length	1	1
4		1027095	Plug Button, Black (7/8")	1	2
5	B,C	8881057741	Adjustable Height Base (Color) - Right	1	1
5	B,C	8881057742	Adjustable Height Base (Color) - Left	1	1
5	C	1057743	Adjustable Height Base (Chrome) - Right	1	1
5	C	1057744	Adjustable Height Base (Chrome) - Left	1	1
6		1090768	Kit, Lock Handle w/Rivets (both LT & RT side)	2	1
7		47471X074	Spring, Arm Lock	1	1
8		1028594	Pin, Arm Lock	1	1
9	C	1064130	Clothing Guard	1	1
10		1028645	Rivet	1	6

NOTE: A - Specify upholstery color when ordering. See page titled "Frame Finishes, Touch-Up Paints and Upholstery Colors."  
 B - Specify frame finish when ordering. See page titled "Frame Finishes, Touch-Up Paints and Upholstery Colors."  
 C - Stainless steel clothing guards were replaced with ABS plastic. Chairs manufactured before 7/30/97 should be ordered in pairs.

# Adjustable Height Removable Arms Non-Reclining (After 9/30/00)





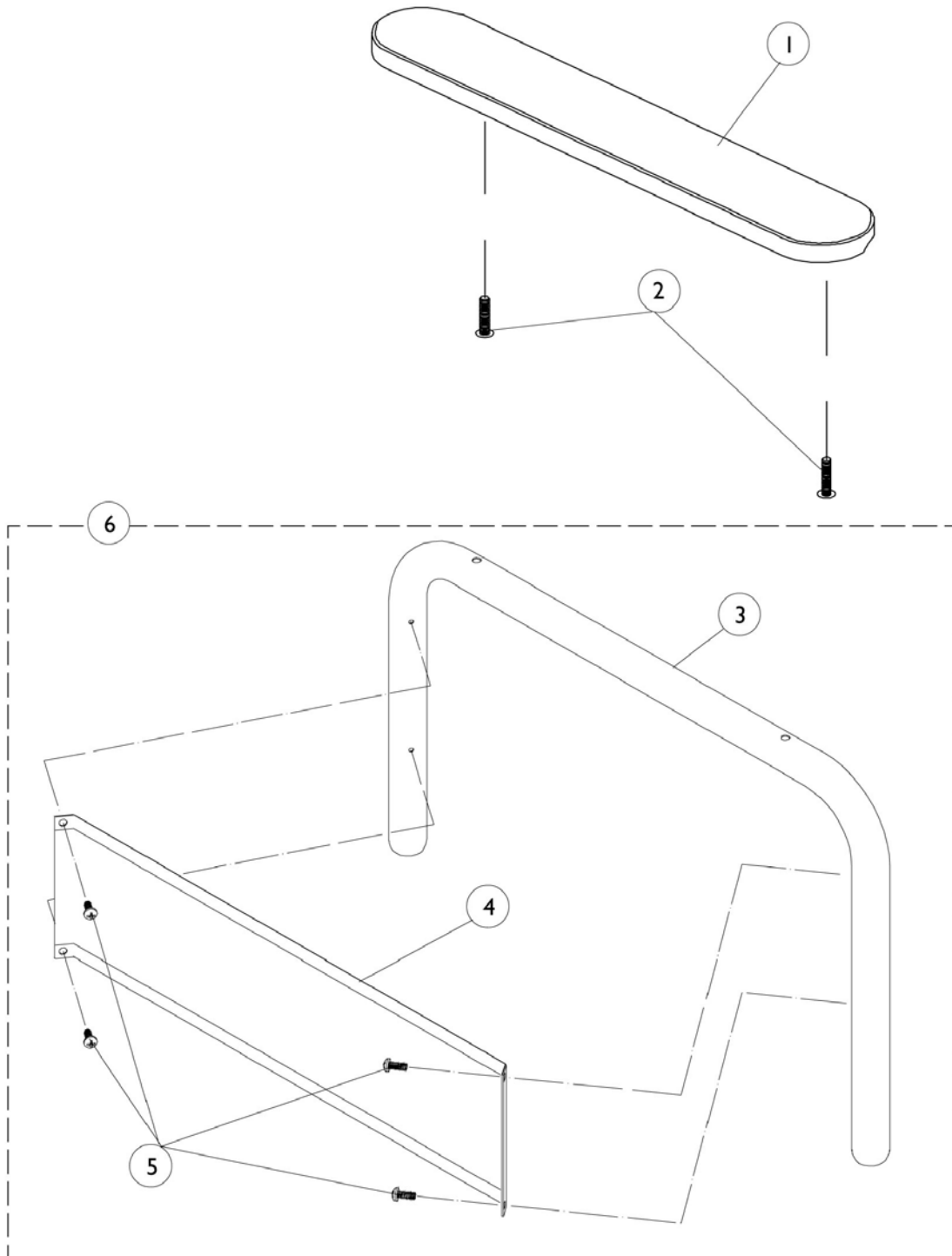
## Adjustable Height Removable Arms Non-Reclining (After 9/30/00)

Item Number	Note	Part Number	Description	Quantity Per	
				Package	Assembly
1	A	8881015932	Arm Pad, Vinyl, Full Length (14" L x 2" W) - Right	1	1
1	A	8881015933	Arm Pad, Vinyl, Full Length (14" L x 2" W) - Left	1	1
1	B,F	1117328	Arm Pad, Full Length, Urethane Waterfall with Screws, Black (13" L x 2-5/8" W)	1	1
1		1110818	Arm Pads, Full Length, Urethane Waterfall with Screws, Black (13" L x 2-5/8" W) (Pair)	2	1
1	A	8881011811	Arm Pad, Vinyl, Desk Length (9" L x 2" W)	1	1
1	B,F	1117327	Arm Pad, Desk Length, Urethane Waterfall with Screws, Black (9" L x 2-5/8" W)	1	1
1		1110817	Arm Pads, Desk Length, Urethane Waterfall with Screws, Black (9" L x 2-5/8" W) (Pair)	2	1
2		1055949	Screws, Phillips Pan Head (#10-32 x 1-1/8")	2	1
2	E	1094270	Screw, Phillips Pan Head (#10-32 x 1-1/4") (Pair)	2	1
3		1071253	Arm Top, Adjustable Height with Plug Buttons - Full Length (Black)	1	1
3		1070859	Arm Tube, Upper with Plug Buttons (Black) - Desk Length	1	1
4		1027095	Plug Button, Black (7/8")	1	2
5		1065936	Plug, Pivot	1	2
6		47471X074	Spring, Arm Lock	1	1
7		1028594	Pin, Arm Lock	1	1
8		1090768	Kit, Lock Handle w/Rivets (both LT & RT side)	2	1
9		1067734	Plug Button, Black (5/8")	1	2
10		1028645	Rivet	1	6
11		1064130	Clothing Guard	1	1
12	C	8881071554	Arm Base, Adjustable Height - Right	1	1
12	C	8881071555	Arm Base, Adjustable Height - Left	1	1
13		1068039	Pin, Pull	1	1
14		1019590	Screw, Socket Button Head (1/4-20 x 1-5/8")	1	1
15		1068025	Clevis, Pivot	1	1
16		1025195	Locknut (1/4-20)	1	1
17	D	1090277	Hardware, Mounting, Swingaway Armrest	1	1

NOTE: A - Specify upholstery color when ordering. See page titled "Frame Finishes, Touch-Up Paints and Upholstery Colors."  
 B - As of 1/3/02 upholstered waterfall armpads were replaced with black urethane waterfall armpads. Order in pairs with screws for chairs manufactured before 1/3/02.  
 C - Specify frame finish when ordering. See page titled "Frame Finishes, Touch-Up Paints and Upholstery Colors."  
 D - Includes items 14-16.  
 E - For urethane waterfall armpads only  
 F - After 7/9/07 Invacare recommends ordering armpads in pairs to assure uniform appearance on chair

# Fixed Height, Removable Arms

Non-Reclining (Before 10/1/00 and All Recliners)



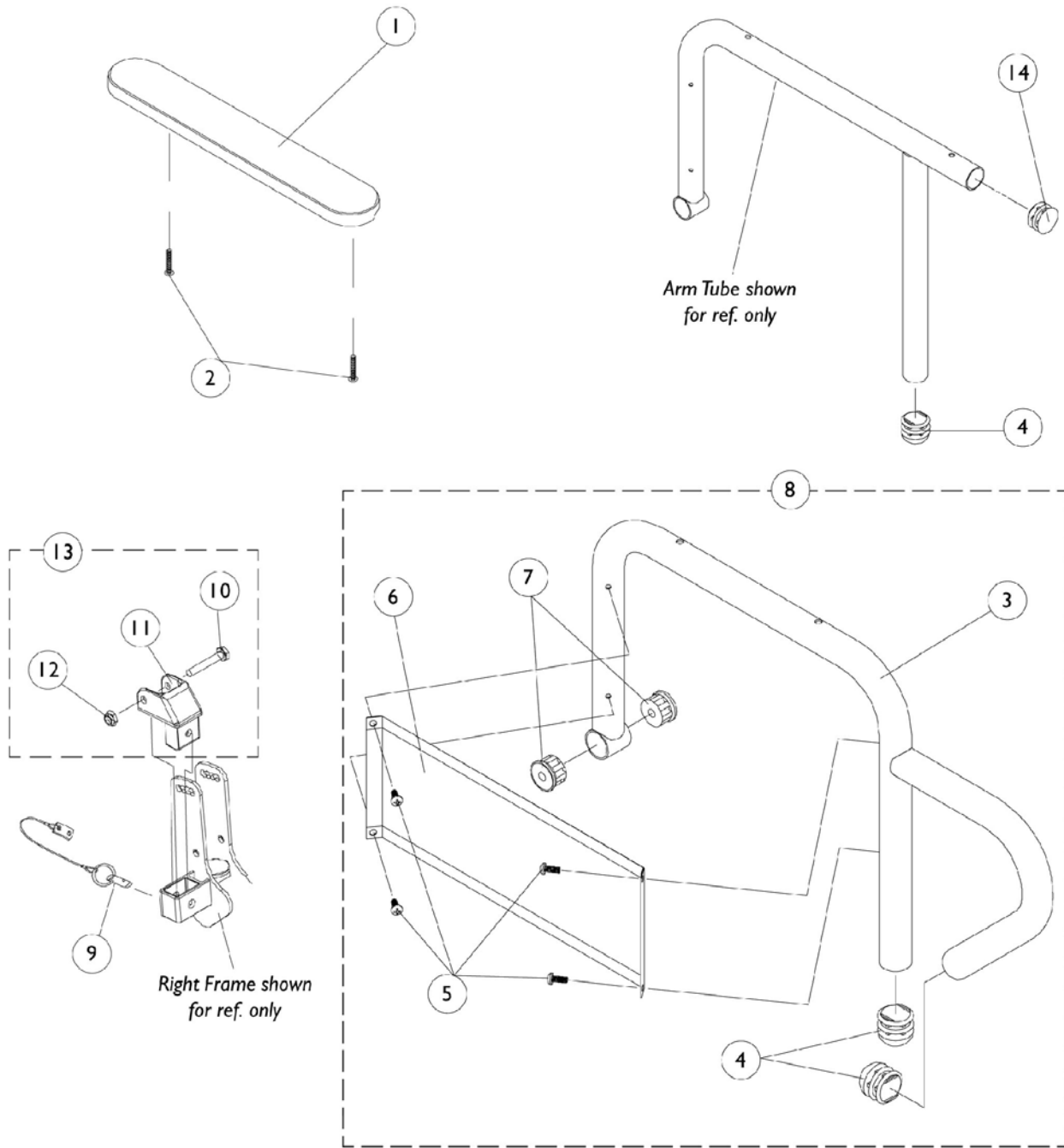
## Fixed Height, Removable Arms Non-Reclining (Before 10/1/00 and All Recliners)

Item Number	Note	Part Number	Description	Quantity Per	
				Package	Assembly
1	A	8881015932	Arm Pad, Vinyl, Full Length (14" L x 2" W) - Right	1	1
1	A	8881015933	Arm Pad, Vinyl, Full Length (14" L x 2" W) - Left	1	1
1	A	8881011811	Arm Pad, Vinyl, Desk Length (9" L x 2" W)	1	1
2		1055949	Screws, Phillips Pan Head (#10-32 x 1-1/8")	2	1
3	B	8881057723	Desk Length Arm Tube (Color), Right	1	1
3	B	8881057724	Desk Length Arm Tube (Color), Left	1	1
3	C	1057725-NLA	Desk Length Arm Tube (Chrome), Right	1	1
3	C	1057726-NLA	Desk Length Arm Tube (Chrome), Left	1	1
3		1041891	Tube, Arm Desk Length, Right	1	1
3		1041895	Tube, Arm Desk Length, Left	1	1
3	B	8881057715	Tube, Arm, Full Length (Color), Right	1	1
3	B	8881057716	Tube, Arm, Full Length (Color), Left	1	1
3	C	1057717-NLA	Tube, Arm, Full Length (Chrome), Right	1	1
3	C	1057718-NLA	Tube, Arm, Full Length (Chrome), Left	1	1
3		1044513	Tube, Arm Full Length Standard, Right	1	1
3		1044514	Tube, Arm Full Length Standard, Left	1	1
4		1035472	Clothing Guard, Desk Length	1	1
4		1044572	Clothing Guard, Full Length 16-19" Deep	1	1
5		1025729	Screw, Self Tapping Pan Head (#8-32 x 3/8")	1	8
6	B	8881057729	Arm, Desk Length without Armpad (Color), Right	1	1
6	B	8881057730	Arm, Desk Length without Armpad (Color), Left	1	1
6	C	1057731-NLA	Arm, Desk Length without Armpad (Chrome), Right	1	1
6	C	1057732-NLA	Arm, Desk Length without Armpad (Chrome), Left	1	1
6		1057727	Arm, Desk Length without Armpad, Right	1	1
6		1057728	Arm, Desk Length without Armpad, Left	1	1
6	B	8881057719	Arm, Full Length without Armpad (Color), Right	1	1
6	B	8881057720	Arm, Full Length without Armpad (Color), Left	1	1
6	C	1057721-NLA	Arm, Full Length without Armpad (Chrome), Right	1	1
6	C	1057722-NLA	Arm, Full Length without Armpad (Chrome), Left	1	1
6		1044573	Arm, Full Length, without Armpad (Black), Right	1	1
6		1044574	Arm, Full Length without Armpad (Black), Left	1	1

NOTE: A - Specify upholstery color when ordering. See page titled "Frame Finishes, Touch-Up Paints and Upholstery Colors."  
 B - Specify frame finish when ordering. See page titled "Frame Finishes, Touch-Up Paints and Upholstery Colors."  
 C - Chrome is NLA as of 3/22/99. Black replaced chrome. Order arm components in pairs to match.

# Fixed Height Removable Arms

## Non-Reclining (After 9/30/00)

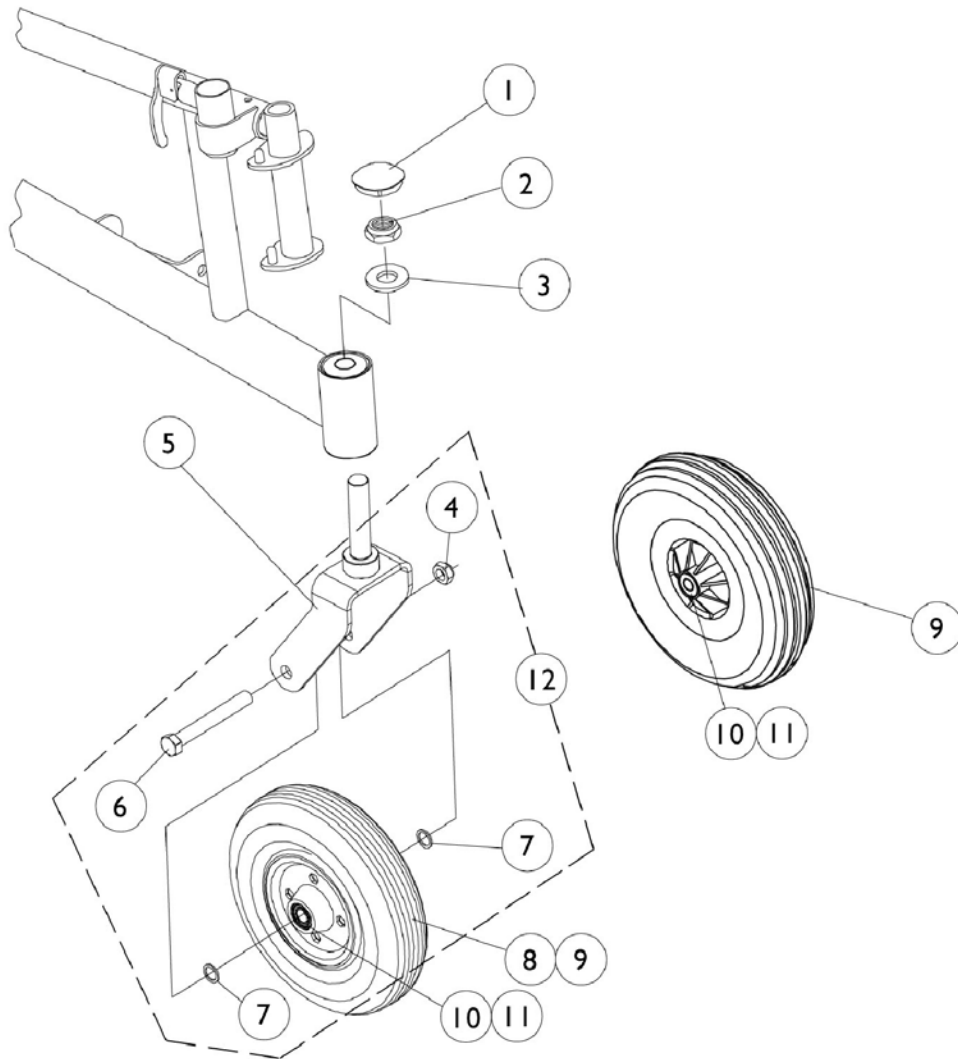


## Fixed Height Removable Arms Non-Reclining (After 9/30/00)

Item Number	Note	Part Number	Description	Quantity Per	
				Package	Assembly
1	A	8881015932	Arm Pad, Vinyl, Full Length (14" L x 2" W) - Right	1	1
1	A	8881015933	Arm Pad, Vinyl, Full Length (14" L x 2" W) - Left	1	1
1	C,E	1117328	Arm Pad, Full Length, Urethane Waterfall with Screws, Black (13" L x 2-5/8" W)	1	1
1		1110818	Arm Pads, Full Length, Urethane Waterfall with Screws, Black (13" L x 2-5/8" W) (Pair)	2	1
1	A	8881011811	Arm Pad, Vinyl, Desk Length (9" L x 2" W)	1	1
1	C,E	1117327	Arm Pad, Desk Length, Urethane Waterfall with Screws, Black (9" L x 2-5/8" W)	1	1
1		1110817	Arm Pads, Desk Length, Urethane Waterfall with Screws, Black (9" L x 2-5/8" W) (Pair)	2	1
2		1055949	Screws, Phillips Pan Head (#10-32 x 1-1/8")	2	1
2		1094270	Screw, Phillips Pan Head (#10-32 x 1-1/4") (Pair)	2	1
3	B	8881071517	Tube, Arm, Full Length, Right	1	1
3	B	8881071518	Tube, Arm, Full Length, Left	1	1
3	B	8881071519	Tube, Arm, Desk Length, Right	1	1
3	B	8881071520	Tube, Arm, Desk Length, Left	1	1
4		1067734	Plug Button, Black (5/8")	1	2
5		1025729	Screw, Self Tapping Pan Head (#8-32 x 3/8")	1	4
6		1035472	Clothing Guard, Desk Length	1	1
7		1065936	Plug, Pivot	1	2
8	B	8881071550	Arm Assembly, Full Length, Right	1	1
8	B	8881071551	Arm Assembly, Full Length, Left	1	1
8	B	8881071552	Arm Assembly, Desk Length, Right	1	1
8	B	8881071553	Arm Assembly, Desk Length, Left	1	1
9		1068039	Pin, Pull	1	1
10		1019590	Screw, Socket Button Head (1/4-20 x 1-5/8")	1	1
11		1068025	Clevis, Pivot	1	1
12		1025195	Locknut (1/4-20)	1	1
13	D	1090277	Hardware, Mounting, Swingaway Armrest	1	1
14		1027095	Plug Button, Black (7/8")	1	1

NOTE: A - Specify upholstery color when ordering. See page titled "Frame Finishes, Touch-Up Paints and Upholstery Colors."  
B - Specify frame finish when ordering. See page titled "Frame Finishes, Touch-Up Paints and Upholstery Colors."  
C - As of 1/3/02 upholstered waterfall armpads were replaced with black urethane waterfall armpads. Order in pairs with screws for chairs manufactured before 1/3/02.  
D - Includes Items 10-12.  
E - After 7/9/07 Invacare recommends ordering armpads in pairs to assure uniform appearance on chair

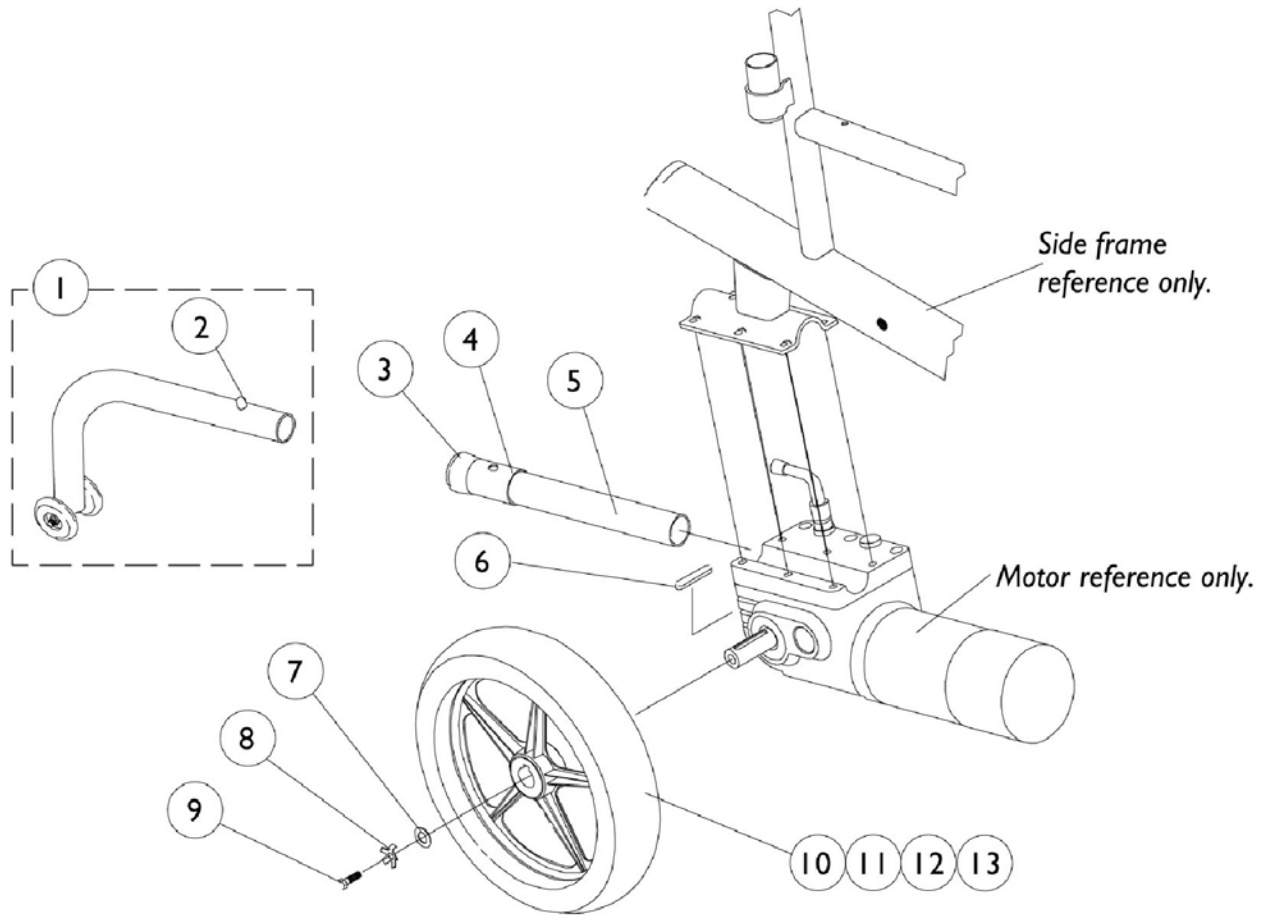
# Casters and Forks



## Casters and Forks

Item Number	Note	Part Number	Description	Quantity Per	
				Package	Assembly
1		1056739	Cap, Head Tube	1	1
2		1028550	Locknut (5/8-18)	1	1
3		1041444	Washer (5/8 x 1-5/16 x 1/8")	1	1
4		1025734	Locknut (7/16-20)	1	1
5		1058556	Fork and Stem -8" Casters	1	1
5	A	8881058562	Caster Forks, Standard Fork (8")	1	1
6		1025726	Screw, Hex Head (7/16-20 x 3-1/4")	1	1
7		1025724	Washer (15/32 x 5/8 x 3/64")	1	1
8	D	1006058-NLA	Caster, Semi Pneumatic (8")	1	1
8	E	1068311-NLA	Caster, Semi Pneumatic Charcoal (8")	1	1
8	F	1070811	Wheel/Caster, Semi-Pneumatic with Bearings (8 x 1-3/4")	1	1
9	B	1002002	Wheel with Bearings - Pneumatic (8 x 2")	1	1
10		1006049	Bearing (7/16")	1	2
11		1020592	Spacer, Bearing (7/16 x 5/8 x 1-3/4")	1	1
12	C	1042489	Caster Axle Hardware (1 Pair)	1	1
NOTE: A - Specify frame finish when ordering. See page titled "Frame Finishes, Touch-Up Paints and Upholstery Colors." B - Includes Items 10 and 11 C - Includes Items 4, 6, and 7 D - Before 1/15/97 E - After 1/15/97 F - After 6/8/97					

# Rear Wheels and Anti-Tippers



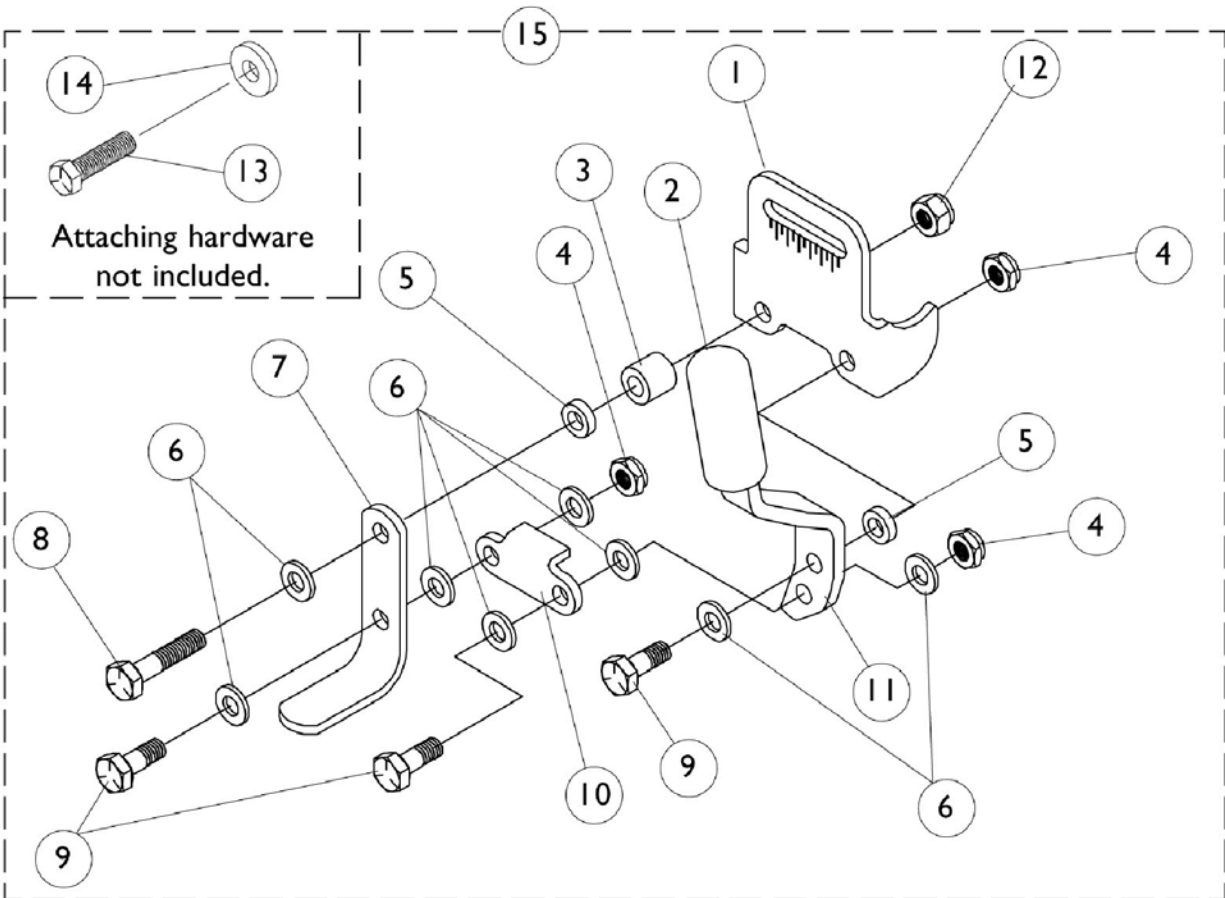


## Rear Wheels and Anti-Tippers

Item Number	Note	Part Number	Description	Quantity Per	
				Package	Assembly
1		1058824	Anti-Tipper	1	1
2		1025763	Spring, Torsion with Double Button	1	1
3		15680X013	Anti-Rattle (1")	1	1
4		1037900-NLA	Bushing, Anti-Wear	1	1
5		1057423	Tube, Support, Anti-Tip	1	1
6		1023264	Key (6 MM x 6MM x 40 MM)	1	1
7		1023262	Washer (11/32 x 13/16 x 1/8")	1	1
8		1064179	Kit, Locking Tab Washers with Instruction Sheet	2	1
9		1023260	Screw (M8 x 1-1/4 x 20MM)	1	1
10		1064178	Wheel, Drive 5 Spoke, Pneumatic (12-1/2" x 2-1/4") Includes: Locking Tab Washer with Instruction Sheet	1	1
10		1064177	Wheel, Drive 5 Spoke with Foam Fill Insert (12-1/2" x 2-1/4") Includes: Locking Tab Washer with Instruction Sheet	1	1
11		1011524	Tire (12-1/2" x 2-1/4")	1	1
12		1011525	Tube (12-1/2" x 2-1/4")	1	1
12	A	1073936-NLA	Insert, Flat Free	1	1
13		1064176-NLA	Rim with Locking Tab	1	1

NOTE: A - As of 10/20/99 the "Solid" Flat Free Insert was replaced by a "Foam Fill" process. When a Flat Free Insert is requested, a complete wheel must be ordered.

# Wheel Lock



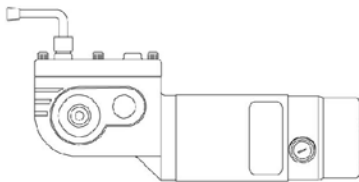
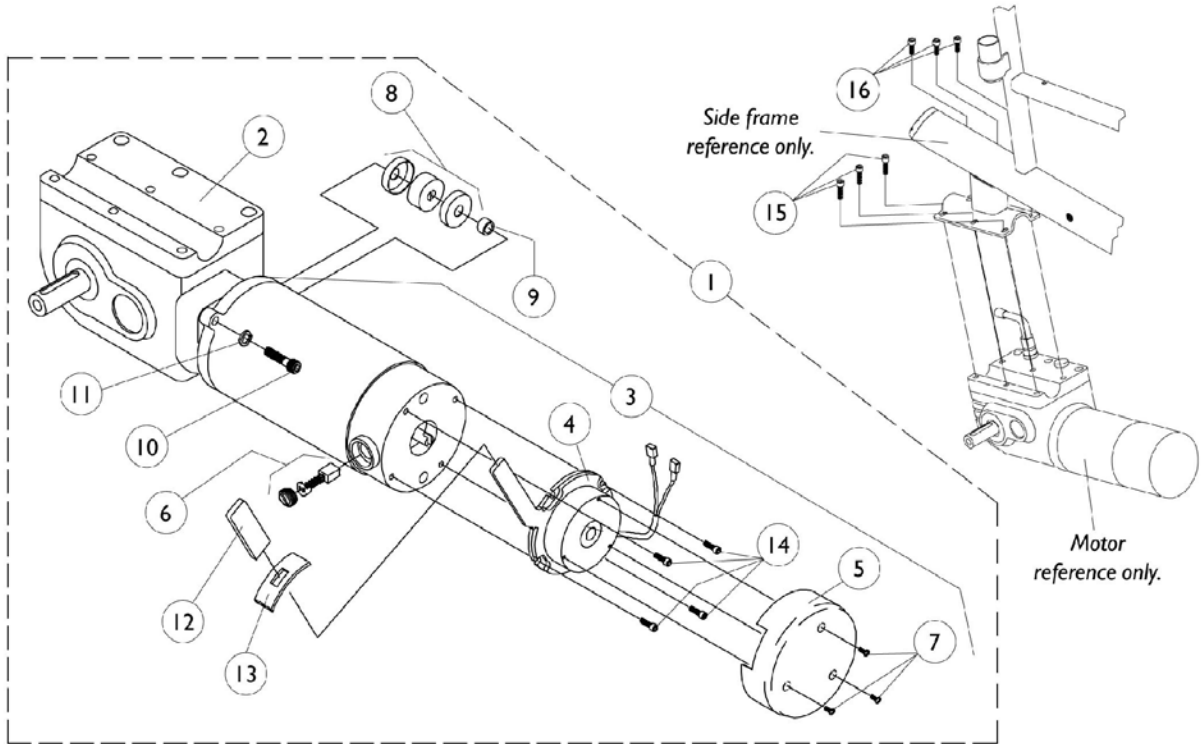
# Wheel Lock

Item Number	Note	Part Number	Description	Quantity Per	
				Package	Assembly
1		1057912	Bracket, Black	1	1
2		47376X024	Tip, Rubber Wheel Lock Handle, Black	1	1
3		1057946	Spacer (31/64 x 17/64 x 7/16")	1	1
4		1025765	Locknut (1/4-28)	1	1
5		1026105	Spacer, Nylon (1/4 x 7/16 x 1/8")	1	2
6		1026033	Washer, Nylon (1/4 x 1/2 x 1/16")	1	8
7		1031833	Shoe, Wheel Lock	1	1
8		1021406	Screw, Hex Head (1/4-20 x 1-1/4")	1	1
9		1028687	Screw, Hex Head (1/4-28 x 3/4")	1	3
10		1018733	Link	1	1
11		1021408	Handle, Wheel Lock -Right	1	1
11		1021409	Handle, Wheel Lock -Left	1	1
12		1025736	Locknut (1/4-20)	1	1
13		1025708	Bolt, Hex Head Cap (1/4-20 x 3/4")	1	1
14		1018739	Washer (1/4 x 5/8 x 3/32")	1	1
15		1057947-NLA	Lock Assembly, Wheel, Right	1	1
15		1057948-NLA	Lock Assembly, Wheel, Left	1	1
	A	1058899	Handle, Wheel Lock Extension, 6"	1	1
	A	1058900	Handle, Wheel Lock Extension, 8"	1	1

NOTE: A - Not Shown

## 2-Pole Motor and Gearbox

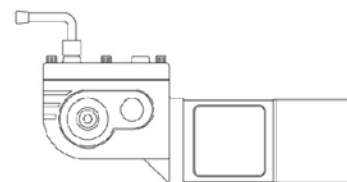
**NOTE:** Manual recliner models for rear wheel drive continued to use the 2-pole motor/gearboxes thru 5/14/99.



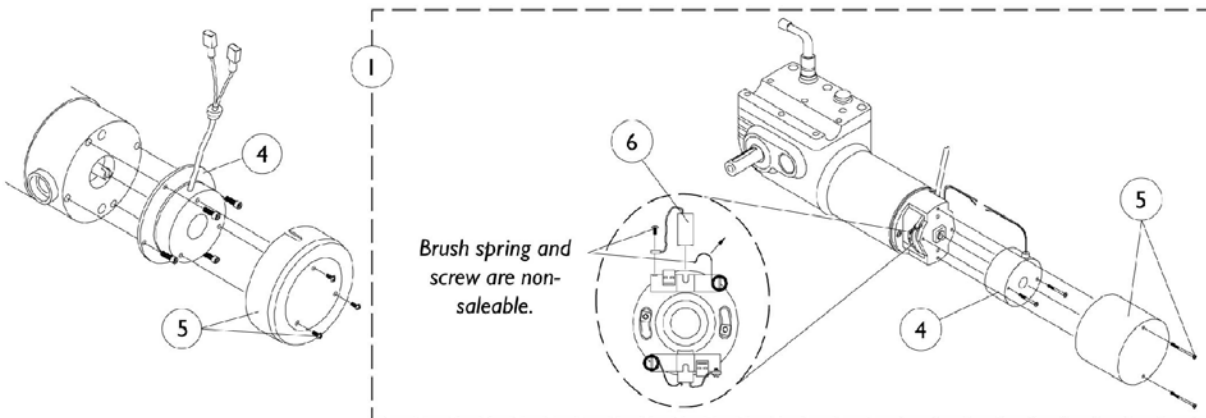
*Motor with short metal cap and 3 screw mounts*



**CLUTCH RELEASE  
EXTENSION  
HANDLE**



*Motor with long plastic cap and 2 screw mounts*



*Brush spring and screw are non-saleable.*

## 2-Pole Motor and Gearbox

**NOTE: Manual recliner models for rear wheel drive continued to use the 2-pole motor/gearboxes thru 5/14/99.**

Item Number	Description	With Brake Lever (Before 3/15/99) Right	With Brake Lever (Before 3/15/99) Left	Basic Short Cap Right	Basic Short Cap Left	Basic Long Cap (Light Duty 250-S) Right	Basic Long Cap (Light Duty 250-S) Left
1.	Motor/ Gearbox	1057906	1057907-NLA	1057904	1057905	1057902	1057903
2.	Gear Box	1056732	1056733	N/A	N/A	N/A	N/A
3.	Motor Assembly	1070161	1070162	N/A	N/A	N/A	N/A
3.	Motor Assembly (Re-conditioned)	1070161E	1070162E	N/A	N/A	N/A	N/A
4.	Brake Repair Kit	1056734	1056735-NLA	1057827	1057827	1055872	1055872
5.	Brake Cover with Screws	1056736	1060996	1057826	1057826	1038361 See Note(s) D	1038361 See Note(s) D
6.	Brushes with cap (Pair)	1064336	1064336	1044044	1044044	561-005	561-005
7.	Screw, Phillips Pan Head (#4-40 x 1/4")	1050305	1050305	1050305	1050305	N/A	N/A
8.	Coupling w/ Cup (1" Diameter)	5165204-NLA See Note(s) B	5165204-NLA See Note(s) B	N/A	N/A	N/A	N/A
8. See Note(s) B	Coupling w/ Cup (1-5/16" Diameter)	50000X007 See Note(s) C	50000X007 See Note(s) C	N/A	N/A	N/A	N/A
9.	Spacer	50000X341-NLA See Note(s) A	50000X341-NLA See Note(s) A	N/A	N/A	N/A	N/A
10.	Screw, Socket Head (1/4-20 x 1-1/8")	1043594	1043594	N/A	N/A	N/A	N/A
11.	Lockwasher	10502X001	10502X001	N/A	N/A	N/A	N/A
12.	Plastic Tip	1006490	1006490	N/A	N/A	N/A	N/A
13.	Slotted Plate	1057972-NLA	1057972-NLA	N/A	N/A	N/A	N/A
14.	Screw, Socket Head (#8-32 x 1/2")	1008498-NLA	1008498-NLA	N/A	N/A	N/A	N/A
15.	Screw, Socket Head (M6 x 30MM)	1057823	1057823	1057823	1057823	1057823	1057823

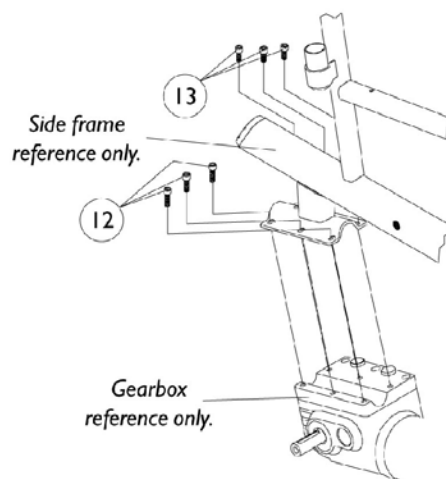
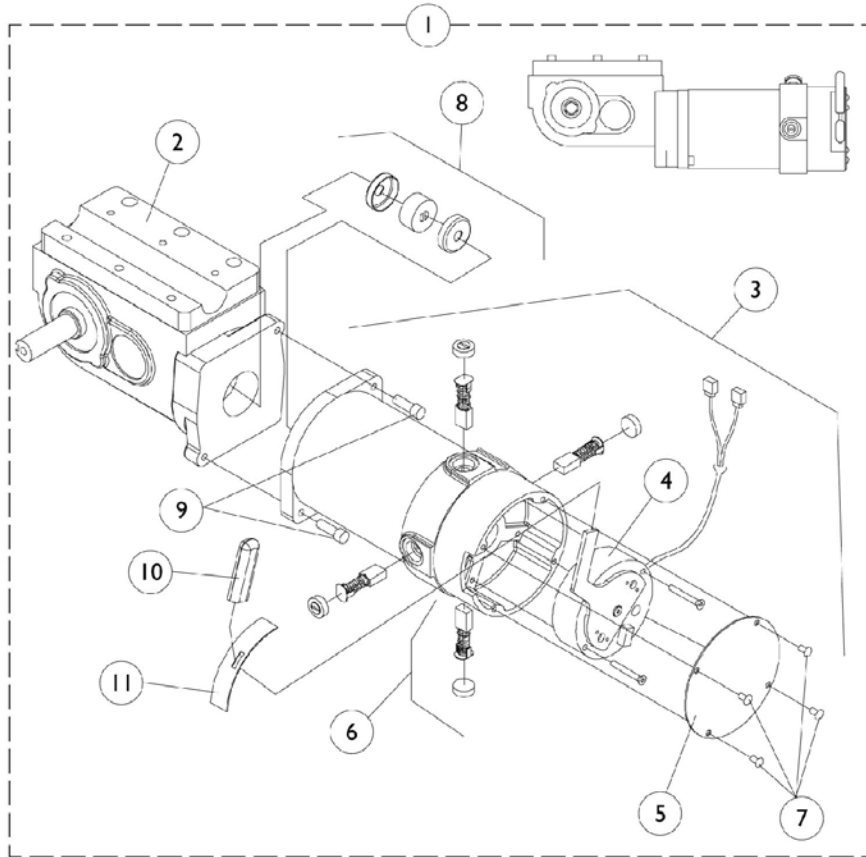
## 2-Pole Motor and Gearbox

**NOTE: Manual recliner models for rear wheel drive continued to use the 2-pole motor/gearboxes thru 5/14/99.**

Item Number	Description	With Brake Lever (Before 3/15/99) Right	With Brake Lever (Before 3/15/99) Left	Basic Short Cap Right	Basic Short Cap Left	Basic Long Cap (Light Duty 250-S) Right	Basic Long Cap (Light Duty 250-S) Left
16.	Screw, Socket Head (M6 x 16MM)	1057824	1057824	1057824	1057824	1057824	1057824
17.	Clutch Release Extension Handle	N/A	N/A	1063287 See Note(s) D	1063287 See Note(s) D	1063287 See Note(s) D	1063287 See Note(s) D
NOTE: A - Spacer not needed after 6/30/98. B - Coupling and Cup for chairs manufactured before 11/12/01 - Use part # 50000X007 as a direct replacement part. C - After 11/11/01 Coupling with Cup was resized from approximately 1" to 1-5/16" diameter and can be used as a direct replacement for part number 5165204 D - Sold in pairs only							

# 4-Pole Motor and Gearbox With Brake Lever (After 3/14/99)

**NOTE:** Manual Recliner models for Rear Wheel Drive continued to use the 2-Pole Motor/Gearboxes thru 5/14/99. See page titled "2-Pole Motor and Gearbox"



## 4-Pole Motor and Gearbox With Brake Lever (After 3/14/99)

**NOTE: Manual Recliner models for Rear Wheel Drive continued to use the 2-Pole Motor/Gearboxes thru 5/14/99. See page titled "2-Pole Motor and Gearbox"**

Item Number	Description	Right	Left
1.	Motor / Gearbox Before 10/29/01	1085949 See Note(s) D	1085950 See Note(s) D
1.	Motor / Gearbox Before 10/29/01 (Refurbished)	1085949E	1085950E
1.	Motor / Gearbox After 10/28/01	1109167	1109168
2.	Gearbox	1086221 See Note(s) C	1086222 See Note(s) C
3.	Motor Assembly Before 10/29/01	1087218	1086788
3.	Motor Assembly After 10/28/01	1109228	1109229
4.	Brake Repair Kit	1070294	1070295
5.	Brake Cover with Screws Before 10/29/01	1070297-NLA	1070297-NLA
5.	Brake Cover (Black) with Screws After 10/28/01	1104402-NLA	1104402-NLA
6.	Brushes with Caps (Set Of 4)	1070296	1070296
7.	Screw, Socket Pan Head (#8-32 x 1/4")	SEE ITEM 5	SEE ITEM 5
8.	Coupling w/ Cup (1" Diameter)	5165204-NLA See Note(s) A	5165204-NLA See Note(s) A
8.	Coupling w/ Cup (1-5/16" Diameter)	50000X007 See Note(s) B	50000X007 See Note(s) B
9.	Screw, SHC (1/4-20 x 1-1/8")	1043594 See Note(s) C	1043594 See Note(s) C
9.	Screw, SHC (M6 x 1 x 20MM)	1108978 See Note(s) C	1108978 See Note(s) C
10.	Plastic Tip Before 10/29/01	1082984	1082984
10.	Plastic Tip After 10/28/01	1101725	1101725
11.	Slotted Plate	1082985	1082985
12.	Screw, Socket Head (M6 x 30MM)	1057823	1057823
13.	Screw, Socket Head (M6 x 16MM)	1057824	1057824



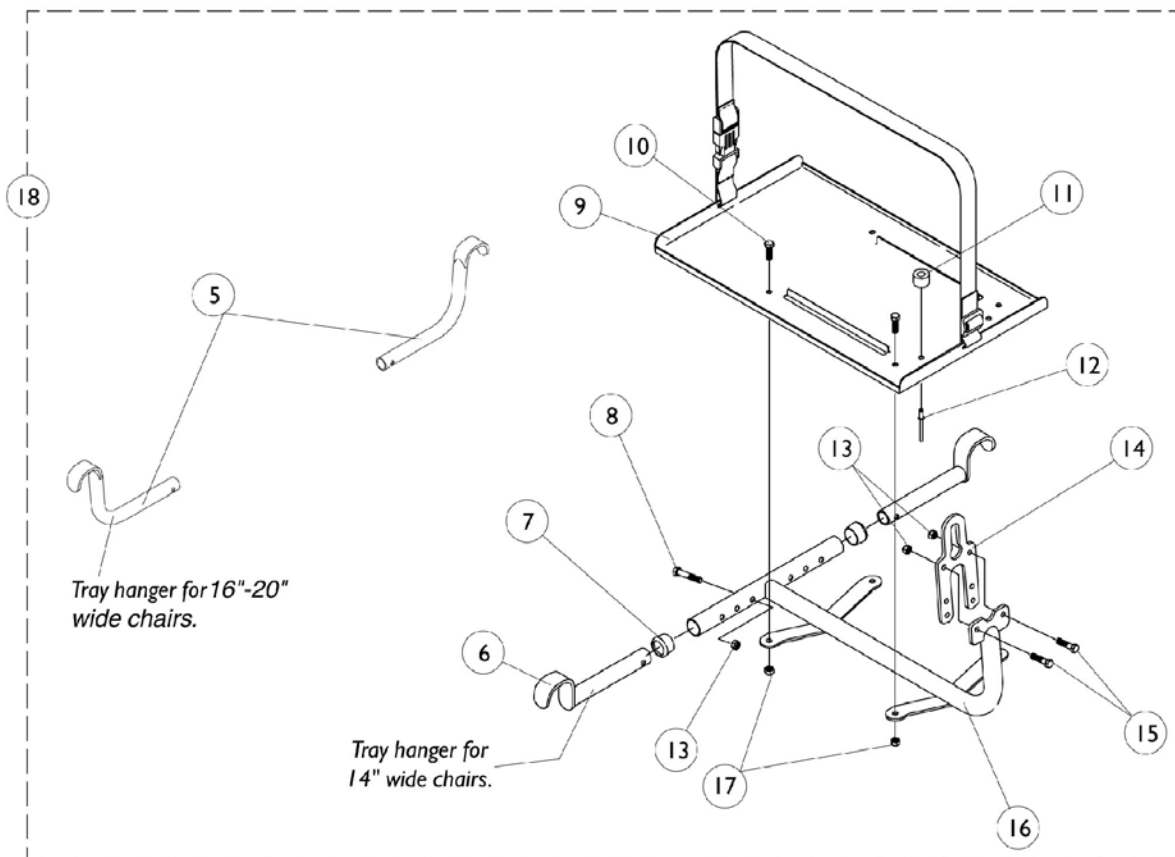
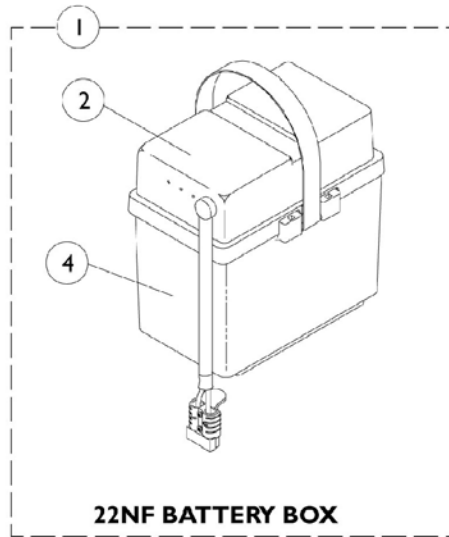
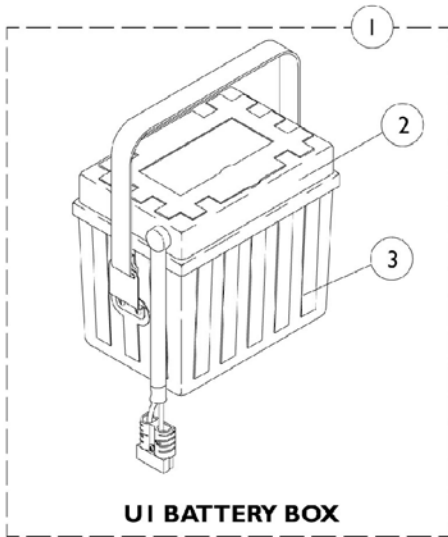
# 4-Pole Motor and Gearbox With Brake Lever (After 3/14/99)

**NOTE: Manual Recliner models for Rear Wheel Drive continued to use the 2-Pole Motor/Gearboxes thru 5/14/99. See page titled "2-Pole Motor and Gearbox"**

NOTE: A - Coupling with Cup for chairs manufactured before 11/12/01 - Use part # 50000X007 as a direct replacement part.  
B - After 11/11/01 Coupling with Cup was resized from approximately 1" to 1-5/16" diameter and can be used as a direct replacement for part number 5165204  
C - When a new gearbox or mounting screws are ordered, (2 ea.) metric and (2 ea.) non-metric screws (item 9) must be ordered. Invacare Corp. utilizes alternate suppliers for this part number.  
D - As of May 2008, the Metal Motor End Cap will be replaced with a Composite Motor End Cap. The change does not affect form, fit, function or aesthetics.

# Battery Boxes and Trays

Light Duty, 250-S models use UI batteries with 22NF battery boxes.



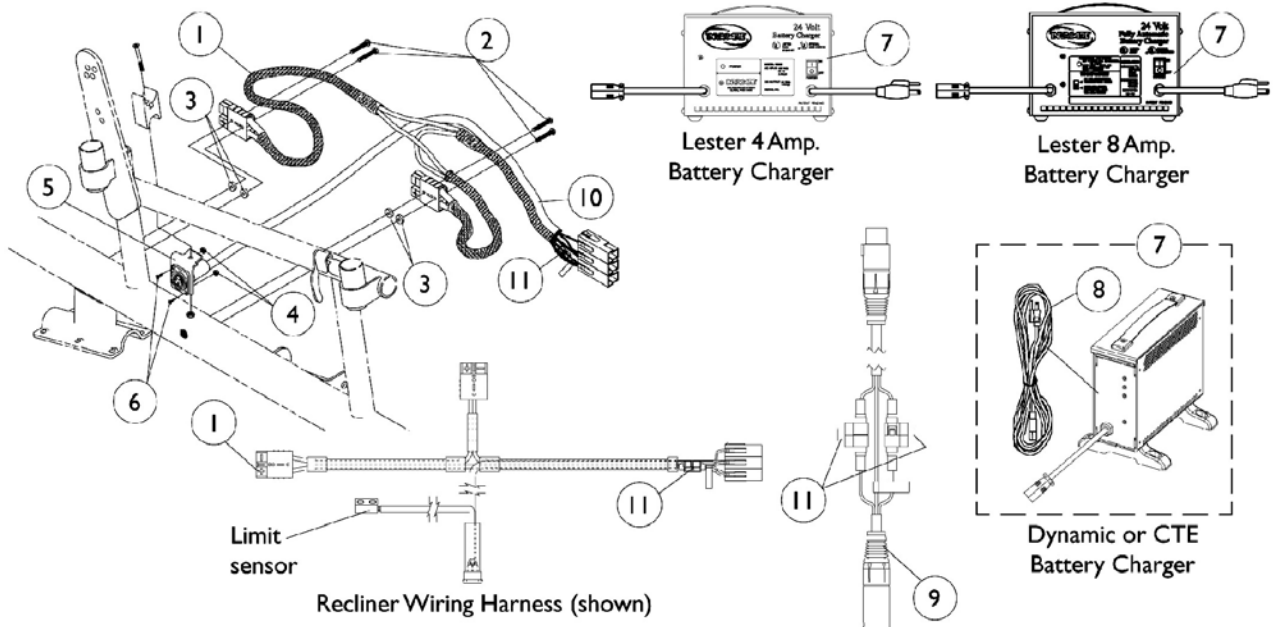
# Battery Boxes and Trays

Light Duty, 250-S models use UI batteries with 22NF battery boxes.

Item Number	Note	Part Number	Description	Quantity Per	
				Package	Assembly
1		1057942	Battery Box Assembly, Dual w/ Single Extended Connector, UI	1	2
1		1097007	Battery Box Assembly, Rear (22NF)	1	2
2	A,B	1057941	Battery Box Top Assembly, Dual w/ Single Extended Connector, UI	1	2
2	A,B	1097003	Battery Box Top, Rear (22NF)	1	2
3		1009268	Battery Box Bottom Assembly	1	2
4		1057944	Battery Box Bottom with Strap	1	2
5		1057419	Bracket, Tray Hanger (16"-20" Wide)	1	2
6		1057939	Bracket, Tray Hanger (14" Wide)	1	2
7		15680X012	Collar, Anti-Rattle (7/8")	1	2
8		1021406	Screw, Hex Head (1/4-20 x 1-1/4")	1	2
9		1057835	Tray Assembly with Buckle	1	1
10		1025752	Screw, Hex Head (1/4-20 x 1-1/2")	1	4
11		1016025	Bumper, Rubber (UI Battery Boxes Only)	1	2
12		1007094	Rivet, Pop (3/16") (UI Battery Boxes Only)	1	2
13		1025736	Locknut (1/4-20)	1	1
14		1044066	Hanger, Tray	1	1
15		1025708	Bolt, Hex Head Cap (1/4-20 x 3/4")	1	1
16		1057421	Support, Tray, Sectional	1	1
16		1062463	Support, Tray, Recliner	1	1
17		1025195	Locknut (1/4-20)	1	1
18		1057838	Battery Tray Assembly, 22NF Battery Boxes (16"-20" Wide) - Sectional	1	1
18		1062464	Battery Tray Assembly, 22NF Battery Boxes (16"-20" Wide) - Recliner	1	1
18		1057839	Battery Tray Assembly, UI Battery Boxes (14" Wide) - Sectional	1	1
18		1062465	Battery Tray Assembly, For U1 Battery Boxes (14" Wide) - Recliner	1	1
	E	50000X166-NLA	Fuse, 60 Amp (Buss 2-1/4" Long)	1	1
	E	1089385	Fuse, 80 Amp, MIDI (Non-G/B & G/B)	1	2
	C,E	1060318	Hardware, Battery Terminal, UI Batteries (Pair)	2	1
	D,E	1058618	Hardware, Battery Terminal, 22NF Batteries (1 Pair)	2	1

NOTE: A - As of 11/05/99 the battery harness fuse changed from a Bussman 60 AMP to a MIDI 80 AMP fuse. This battery box top is compatible for chairs manufactured before 11/05/99 and must be ordered when a replacement Bussman 60 AMP fuse is requested.  
 B - It is recommended that the new terminal hardware be ordered when a new battery box top is ordered.  
 C - Hardware includes small battery terminal caps (gray and orange), 1/4-20 x 7/8" hex flange screws, 1/4-20 hex flange nuts, cable ties, locking tab washers and instruction sheet for two batteries.  
 D - Hardware includes battery clamps, battery clamp cops (red and black), small battery terminal caps (red and black), 1/4-20 x 7/8" hex flange screws, 1/4-20 hex flange nuts, cable ties and locking tab washers for two batteries.  
 E - Not Shown

# Battery Charger and Harnesses



## Battery Charger and Harnesses

Item Number	Note	Part Number	Description	Quantity Per	
				Package	Assembly
1		1053834	Harness, Wiring, Standard	1	1
1		1062466	Harness, Wiring, Recliner	1	1
2		1039773	Screw, Phillips Pan Head (#6-32 x 1-1/8")	1	4
3		1061323	Washer, Nylon (11/64 x 1/2 x 1/8")	1	2
4		P0870X000	Nut, Hex Keps (#4-40)	1	2
5		1053837	Bracket, Charger Connector	1	1
6		1021742	Screw, Phillips Pan Head (#4-40 x 1/2")	1	1
7	A	1053161	Battery Charger, 8 Amp. 115vac (Off Board) Dual Mode Round Plug, Lester	1	1
7		1085678-NLA	Battery Charger, 8 Amp. 115vac (Off Board) Dual Mode Round Plug w/ AC Power Line Cord, Dynamic	1	1
7	D,G	1061411-NLA	Battery Charger, 4 Amp. 115vac (Off Board) Dual Mode Round Plug, Lester	1	1
7	H,H1	1123249	Battery Charger, 8 Amp. 115vac (Off Board) Single Mode Round Plug w/ AC Power Line Cord, CTE Corp.	1	1
8		1089627	Cord, AC Power Line 115vac (2-prong off-board 11'6"L)	1	1
9		1083929	Cable, Charger Extension (24" Long Round Plug)	1	1
10	B	1090357	Wrap, Slit Wire Harness (1/2" O.D.) (36" Long Cut To Length)	1	1
11	E	1098892	Fuse, 15 Amp. (Buss ATC-15)	1	2
11	F	1090117	Fuse, 15 Amp. (Buss Mini ATM-15)	1	2
	C	1095502	Package, Cable Ties (11-1/2" Long)	10	1

NOTE: A - On 7/18/01 Lester 8 AMP battery charger was reinstated.  
 B - Plastic wire wrap replaced mesh fabric and heat shrink 9/1/99. #1090357 can be used for chairs made before 9/1/99.  
 C - Not Shown  
 D - Light Duty, 250-S Models Only.  
 E - Before 4/1/03. Charger extension cable requires 1 fuse. Wiring harness requires 2 fuses  
 F - After 3/31/03. Charger extension cable requires 2 fuses. Wiring harness requires 2 fuses  
 G - The 4 amp. Lester charger was obsoleted and replaced with the 8 amp. CTE charger. For wet cell batteries, use the 8 amp. dual mode Lester charger.  
 H - CTE charger introduced 4/1/04. Used on Gel Cell or AGM (Absorbed Glass Mat) batteries. For wet cell batteries refer to the 8 amp. Lester charger.  
 H1 - CTE charger looks exactly the same as Dynamic's charger except for the company name that is silk screened on the narrow side panel, where the charger plug is (hard wired) attached. Serial number starts with 04A00000001.

# Front Riggings Reference Chart

## Support Assemblies

Riggings	Color Right	Color Left	Chrome Right	Chrome Left
P93	8881035779	8881035780	1030708	1030709
PW93	8881070776	8881070777	N/A	N/A
P93ST	8881058475	8881058474	1058477	1058476
PW93ST	8881070784	8881070785	N/A	N/A
P93E	8881037691	8881037692	1030994	1030995
PW93E	8881070768	8881070769	N/A	N/A
P93M	8881037836	8881037837	1031191	1031192
PAS4A/PAL4A (14-20" W)	N/A	N/A	1058482 See Note(s) A	1058483 See Note(s) A
P904A (14-20" W)	8881058646 See Note(s) A	8881058647 See Note(s) A	1058488 See Note(s) A	1058489 See Note(s) A

NOTE: A - Calf pads and attaching hardware not included with legrest. See page titled "Calf Pads and Attaching Hardware."

### Pivot/Slide Tube with Footplate P93/P93E/P93M

Side	Alumunim Footplate (Standard - 1650)	Deluxe Aluminum Footplate (1450)	Extra Large Aluminum Footplate (1350)
14"W - Right	1058573	N/A	N/A
14"W - Left	1058574	N/A	N/A
16-20"W - Right	1057969	1028892	1031924
16-20"W - Left	1057970	1028893	1031925
16-20"W 2" Longer - Right	N/A	N/A	1086519
16-20"W 2" Longer - Left	N/A	N/A	1086523
16-20"W 4" Longer - Right	N/A	N/A	1086520
16-20"W 4" Longer - Left	N/A	N/A	1086524

NOTE: The Pivot/Slide tube mounting hardware is not included.

# Front Riggings Reference Chart

## Pivot/Slide Tube with Footplate PW93/PW93E

Side	Aluminum Footplate (Standard - 1650)	Deluxe Aluminum Footplate (1450)	Extra Large Aluminum Footplate (1350)	Adjustable Angle Flip-up Footplate (AT5543)
14"W - Right	1041542	N/A	1086790	1060444
14"W - Left	1041543	N/A	1086791	1060445
16-20"W - Right	1074149	1074151	1026395	1062756
16-20"W - Left	1074150	1074152	1026396	1062757
16-20"W 2" Longer - Right	1086494	N/A	1086515	N/A
16-20"W 2" Longer - Left	1086497	N/A	1086517	N/A
16-20"W 4" Longer - Right	1086495	N/A	1086516	N/A
16-20"W 4" Longer - Left	1086498	N/A	1086518	N/A

NOTE: The Pivot/Slide tube mounting hardware is not included.

## Pivot/Slide Tube with Footplate P93ST/PW93ST

Side	Composite Footplate (1651)
16-20"W - Right	1057859
16-20"W - Left	1057860

NOTE: The Pivot/Slide tube mounting hardware is not included.

# Front Riggings Reference Chart

## Pivot/Slide Tube with Footplate PAS4A

Side	Aluminum Footplate (Standard - 1650)	Extra Large Aluminum Footplate (1350)
14"W - Right	1023905	1035454
14"W - Left	1023906	1035455

NOTE: The Pivot/Slide tube mounting hardware is not included.

## Pivot/Slide Tube with Footplate PAL4A

Side	Aluminum Footplate (Standard - 1650)	Extra Large Aluminum Footplate (1350)
16-20"W - Right	1023907	1035456
16-20"W - Left	1023908	1035457

NOTE: The Pivot/Slide tube mounting hardware is not included.

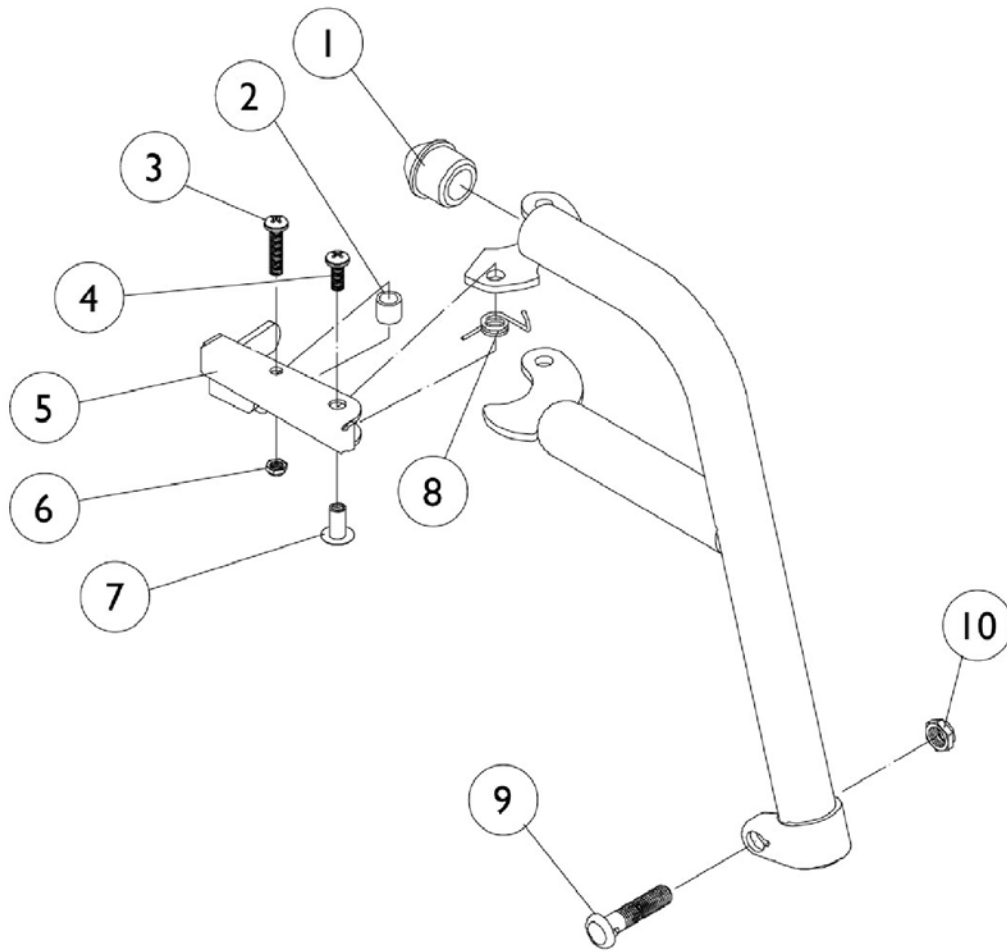
## Pivot/Slide Tube with Footplate P904A

Side	Aluminum Footplate (Standard - 1650)	Deluxe Aluminum Footplate (1450)	Extra Large Aluminum Footplate (1350)
14"W - Right	1058612	N/A	1058828
14"W - Left	1058613	N/A	1058829
16-20"W - Right	1058604	1028723	1058830
16-20"W - Left	1058605	1028724	1058831
16-20"W 2" Longer - Right	1086529	N/A	1086541
16-20"W 2" Longer - Left	1086531	N/A	1086551
16-20"W 4" Longer - Right	1086530	N/A	1086542
16-20"W 4" Longer - Left	1086532	N/A	1086552

NOTE: The Pivot/Slide tube mounting hardware is not included.



# P93 Footrest Supports

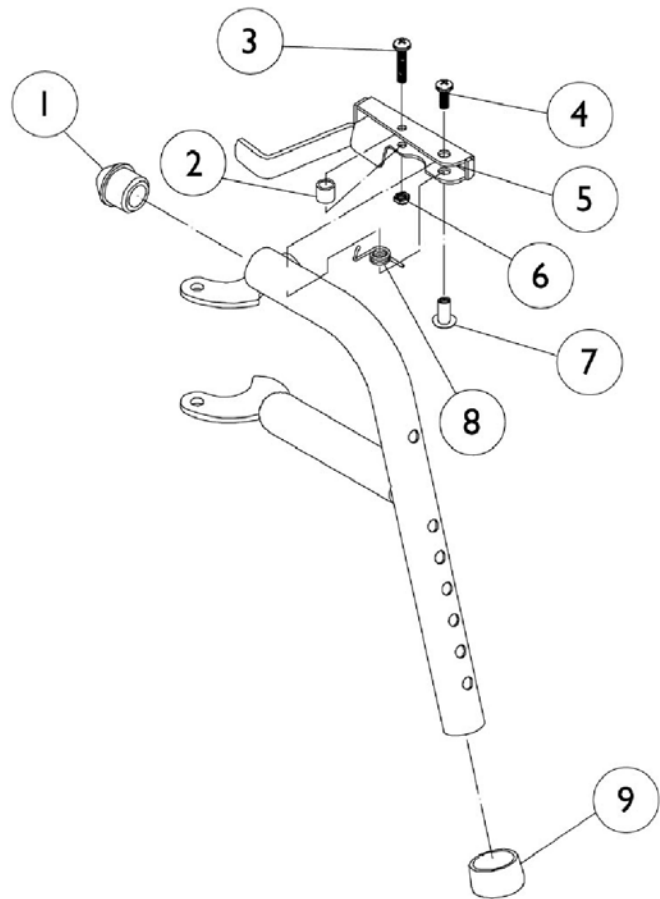
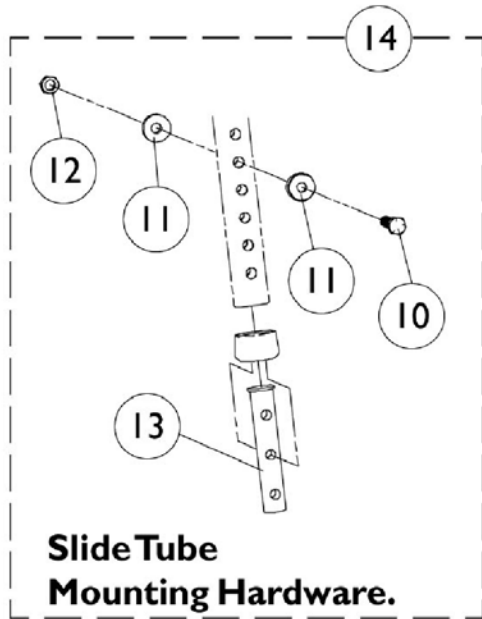


## P93 Footrest Supports

Item Number	Note	Part Number	Description	Quantity Per	
				Package	Assembly
1		1020719	Anti-Rattle, Black	1	1
2		47565X057	Bushing (7/32 x 3/8 x 11/32")	1	1
3		1025716	Screw, Phillips Pan Head (#10-32 x 11/16")	1	1
4		1026114	Screw, Phillips Pan Head (#10-32 x 1/2")	1	1
5		1035539	Handle, Release (Black) - Right	1	1
5		1035540	Handle, Release (Black) - Left	1	1
6		1025735	Locknut (#10-32)	1	1
7		1028846	Rivnut (#10-32)	1	1
8		1028707	Spring, Release - Right	1	1
8		1028708	Spring, Release - Left	1	1
9		1026030	Screw, Lug (5/16-24 x 1-3/8")	1	1
10		1107321	Nut, Low Cap (5/16"-24)	1	1
	A,C	1006490	Tip, Plastic, Black	1	1
	A,B	8881035779	Footrest Support Assembly, Adult, Color - Right	1	1
	A,B	8881035780	Footrest Support Assembly, Adult, Color - Left	1	1
	A	1030708	Footrest Support Assembly, Adult, Silver Vein - Right	1	1
	A	1030709	Footrest Support Assembly, Adult, Silver Vein - Left	1	1

NOTE: A - Not Shown  
 B - Specify frame finish when ordering. See page titled "Frame Finishes, Touch-Up Paints and Upholstery Colors."  
 C - Before 10/1/00 only

# PW93 Footrest Supports

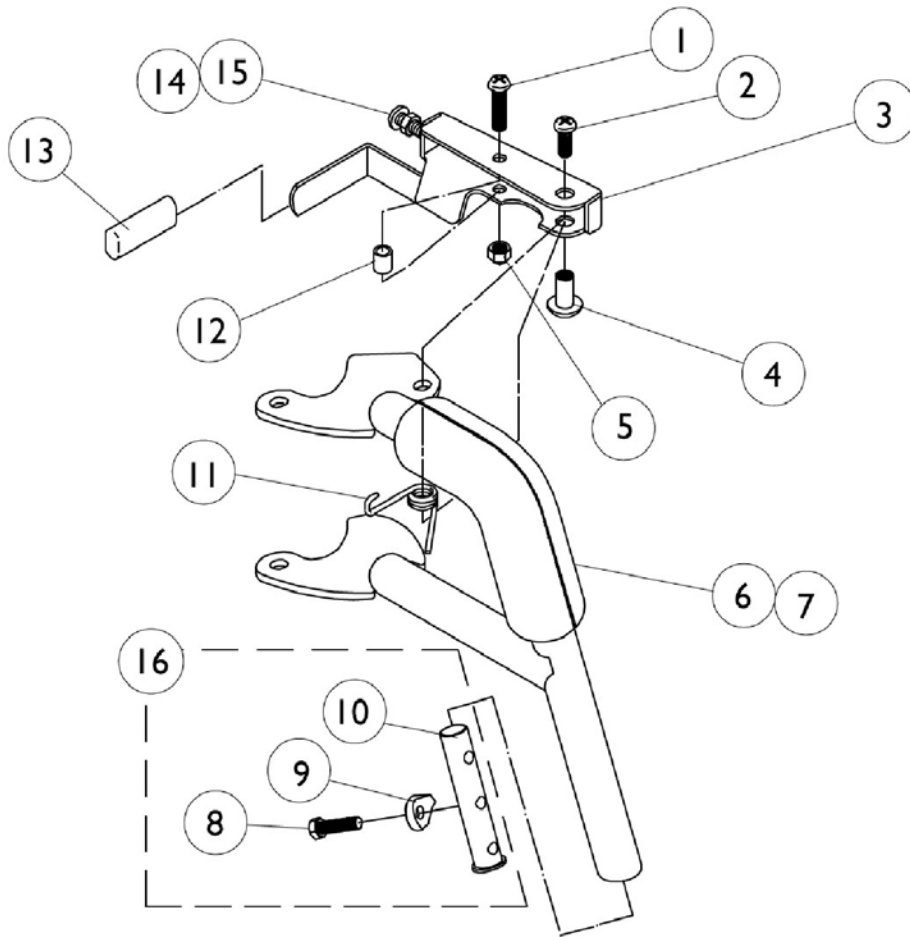


## PW93 Footrest Supports

Item Number	Note	Part Number	Description	Quantity Per	
				Package	Assembly
1		1020719	Anti-Rattle, Black	1	1
2		47565X057	Bushing (7/32 x 3/8 x 11/32")	1	1
3		1025716	Screw, Phillips Pan Head (#10-32 x 11/16")	1	1
4		1026114	Screw, Phillips Pan Head (#10-32 x 1/2")	1	1
5		1035539	Handle, Release (Black) - Right	1	1
5		1035540	Handle, Release (Black) - Left	1	1
6		1025735	Locknut (#10-32)	1	1
7		1028846	Rivnut (#10-32)	1	1
8		1028707	Spring, Release - Right	1	1
8		1028708	Spring, Release - Left	1	1
9		15680X012	Collar, Anti-Rattle (7/8")	1	1
10		1070759	Screw, Hex Head (1/4-20 x 1-1/2")	1	1
11		1026099	Spacer, Coved (1/4 x 11/16 x 1/2")	1	2
12		1044214	Nut, Hex with Nylon Cap (1/4-20)	1	1
13		1020534	Insert, Threaded	1	1
14	C	1074143	Kit, Slide Tube Mounting Hardware	1	1
	A,B	8881070776	Footrest Support Assembly, Adult, Color - Right	1	1
	A,B	8881070777	Footrest Support Assembly, Adult, Color - Left	1	1

NOTE: A - Not Shown  
 B - Specify frame finish when ordering. See page titled "Frame Finishes, Touch-Up Paints and Upholstery Colors."  
 C - Per Side

# P93ST Footrest Supports

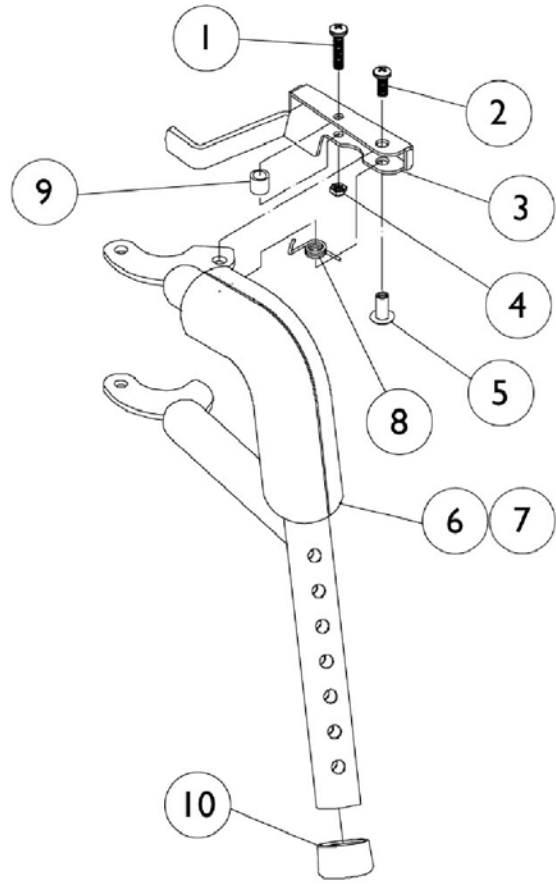
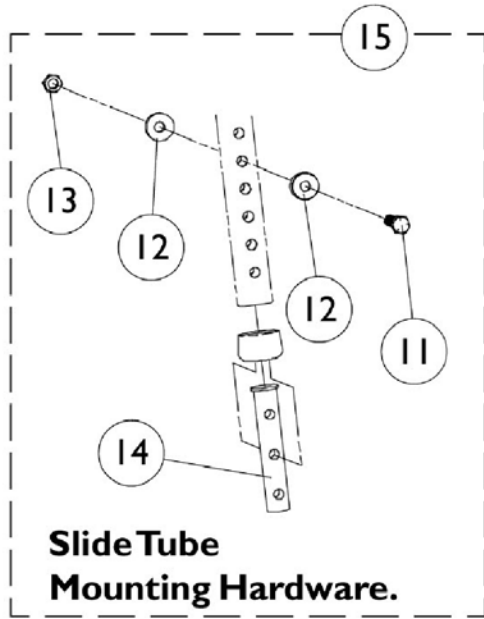


# P93ST Footrest Supports

Item Number	Note	Part Number	Description	Quantity Per	
				Package	Assembly
1		1025716	Screw, Phillips Pan Head (#10-32 x 11/16")	1	1
2		1026114	Screw, Phillips Pan Head (#10-32 x 1/2")	1	1
3		1035539	Handle, Release (Black) - Right	1	1
3		1035540	Handle, Release (Black) - Left	1	1
4		1028846	Rivnut (#10-32)	1	1
5		1025735	Locknut (#10-32)	1	1
6		1030434	Cushion, Tubular Foam	1	1
7		1030435	Cover, Foam Cushion	1	1
8		1045267	Screw, Hex Head (1/4-20 x 3/4")	1	1
9		1026099	Spacer, Coved (1/4 x 11/16 x 1/2")	1	1
10		1020534	Insert, Threaded	1	1
11		1028707	Spring, Release - Right	1	1
11		1028708	Spring, Release - Left	1	1
12		1031884	Bushing (9/32 x 3/8 x 11/32") Black or Color Chairs	1	1
13	A	1006490	Tip, Plastic, Black	1	1
14	A	1026107	Screw, Phillips Pan Head (#10-32 x 1-3/8")	1	1
15	A	1028485-NLA	Nut, Hex (#10-32)	1	1
16		1026703	Kit, Pivot/Slide Tube Mounting Hardware (Pair)	2	1
	B,C	8881058475	Footrest Support Assembly, Adult, Color - Right	1	1
	B,C	8881058474	Footrest Support Assembly, Adult, Color - Left	1	1
	B	1058477	Footrest Support Assembly, Adult, Chrome - Right	1	1
	B	1058476	Footrest Support Assembly, Adult, Chrome - Left	1	1

NOTE: A - Before 10/1/00 only.  
 B - Not Shown  
 C - Specify frame finish when ordering. See page titled "Frame Finishes, Touch-Up Paints and Upholstery Colors."

# PW93ST Footrest Supports



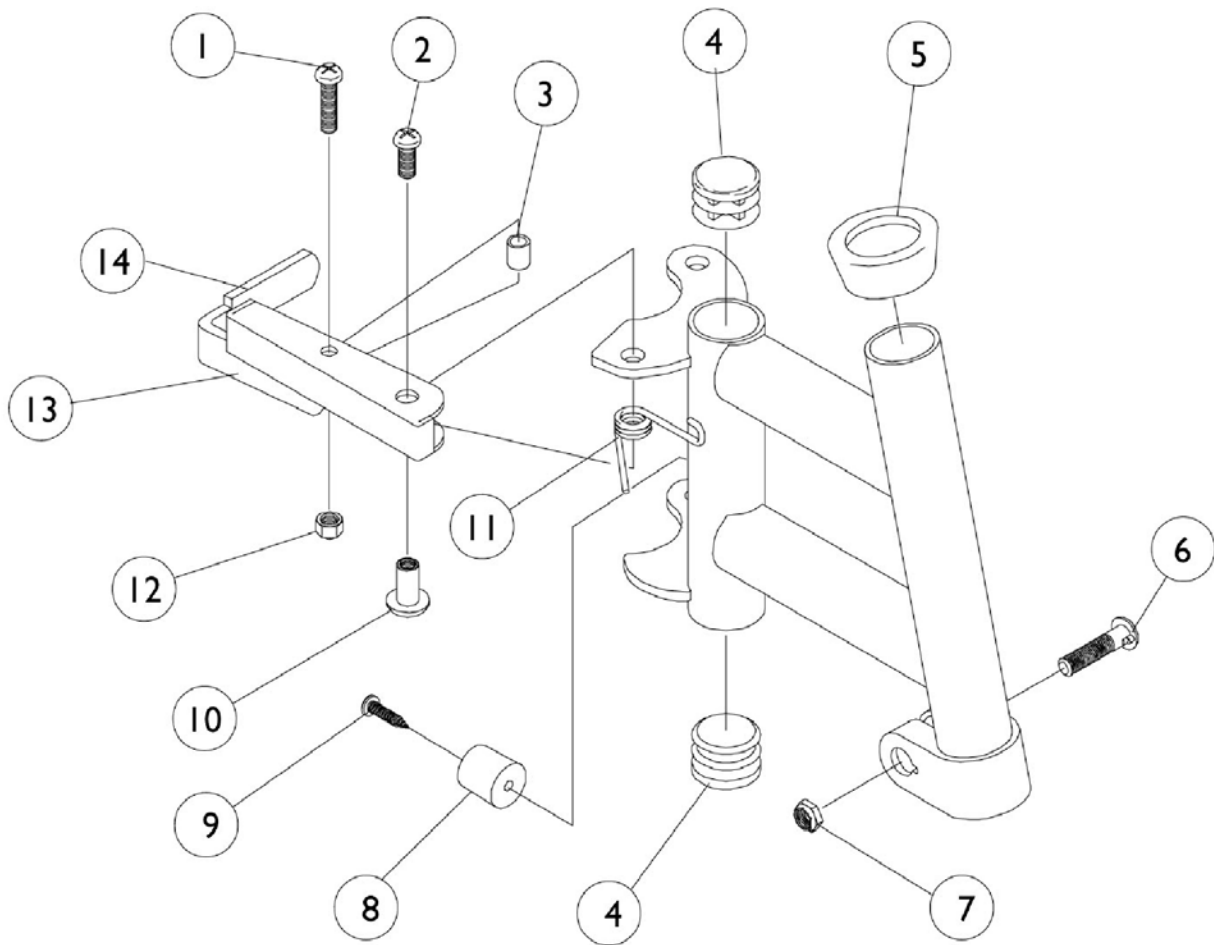
## PW93ST Footrest Supports

Item Number	Note	Part Number	Description	Quantity Per	
				Package	Assembly
1		1025716	Screw, Phillips Pan Head (#10-32 x 11/16")	1	1
2		1026114	Screw, Phillips Pan Head (#10-32 x 1/2")	1	1
3		1035539	Handle, Release (Black) - Right	1	1
3		1035540	Handle, Release (Black) - Left	1	1
4		1025735	Locknut (#10-32)	1	1
5		1028846	Rivnut (#10-32)	1	1
6		1030434	Cushion, Tubular Foam	1	1
7		1030435	Cover, Foam Cushion	1	1
8		1028707	Spring, Release - Right	1	1
8		1028708	Spring, Release - Left	1	1
9		47565X057	Bushing (7/32 x 3/8 x 11/32")	1	1
10		15680X012	Collar, Anti-Rattle (7/8")	1	1
11		1070759	Screw, Hex Head (1/4-20 x 1-1/2")	1	1
12		1026099	Spacer, Coved (1/4 x 11/16 x 1/2")	1	2
13		1044214	Nut, Hex with Nylon Cap (1/4-20)	1	1
14		1020534	Insert, Threaded	1	1
15		1074143	Kit, Slide Tube Mounting Hardware	1	1
	A,B	1026107	Screw, Phillips Pan Head (#10-32 x 1-3/8")	1	1
	A,B	1028485-NLA	Nut, Hex (#10-32)	1	1
	A,B	1006490	Tip, Plastic, Black	1	1
	A,C	8881070784	Footrest Support Assembly, Adult, Color - Right	1	1
	A,C	8881070785	Footrest Support Assembly, Adult, Color - Left	1	1

NOTE: A - Not Shown  
 B - Before 10/1/00 only.  
 C - Specify frame finish when ordering. See page titled "Frame Finishes, Touch-Up Paints and Upholstery Colors."



# P93E Supports

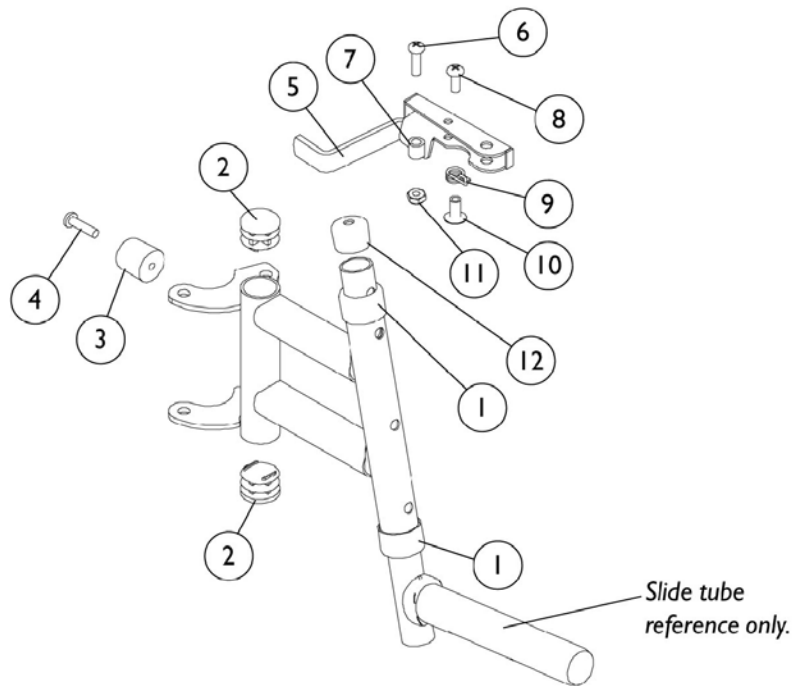
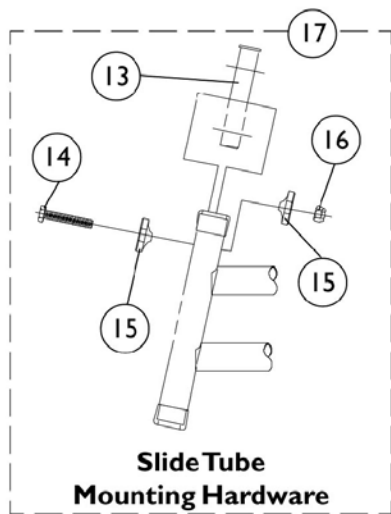


## P93E Supports

Item Number	Note	Part Number	Description	Quantity Per	
				Package	Assembly
1		40163X008	Screw, Phillips Pan Head (#10-32 x 11/16")	1	1
2		40163X002	Screw, Phillips Round Head (#10-32 x 1/2")	1	1
3		47565X057	Bushing (7/32 x 3/8 x 11/32")	1	1
4		1027095	Plug Button, Black (7/8")	1	1
5		15680X012	Collar, Anti-Rattle (7/8")	1	1
6		11232X009	Screw, Lug (5/16-24 x 1-3/8")	1	1
7		1107321	Nut, Low Cap (5/16"-24)	1	1
8		1022874	Bumper	1	1
9		1030979	Screw, Phillips Pan Head Tap (#10-32 x 3/4")	1	1
10		67005X000	Rivnut (#10-32)	1	1
11		1008935	Spring, Release - Right	1	1
11		1008936	Spring, Release - Left	1	1
12		60279X003	Locknut (#10-32)	1	1
13		1023428	Handle, Release, Chrome - Right	1	1
13		1023431	Handle, Release, Chrome - Left	1	1
14	A	1006490	Tip, Plastic, Black	1	1
	B,C	8881037691	Footrest Support Assembly, Adult, Color - Right	1	1
	B,C	8881037692	Footrest Support Assembly, Adult, Color - Left	1	1
	C	1030994	Footrest Support Assembly, Adult, Chrome - Right	1	1
	C	1030995	Footrest Support Assembly, Adult, Chrome - Left	1	1

NOTE: A - Before 10/1/00 Only  
 B - Specify frame finish when ordering. See page titled "Frame Finishes, Touch-Up Paints and Upholstery Colors."  
 C - Not Shown

# PW93E Footrest Supports

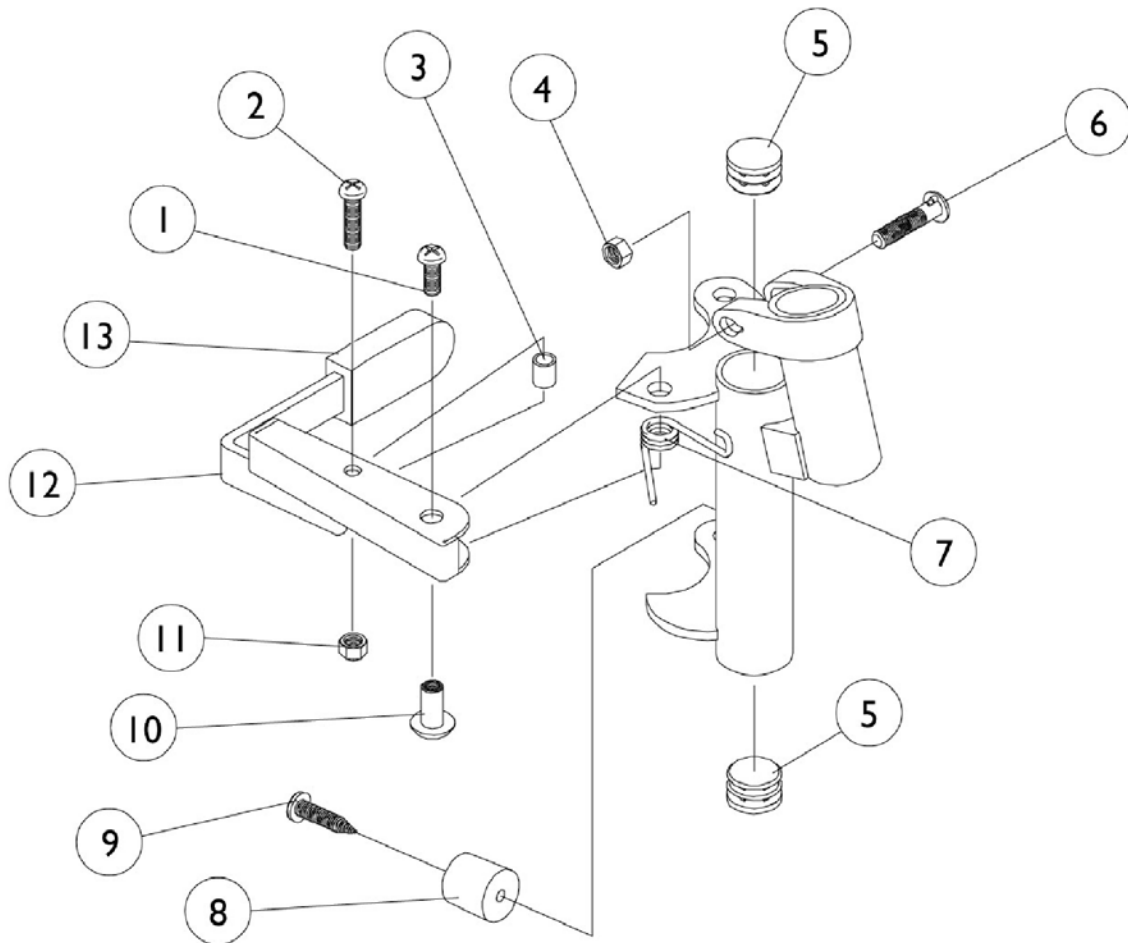


## PW93E Footrest Supports

Item Number	Note	Part Number	Description	Quantity Per	
				Package	Assembly
1		15680X012	Collar, Anti-Rattle (7/8")	1	2
2		1027095	Plug Button, Black (7/8")	1	2
3		1022874	Bumper	1	1
4		1030979	Screw, Phillips Pan Head Tap (#10-32 x 3/4")	1	1
5		1035539	Handle, Release (Black) - Right	1	1
5		1035540	Handle, Release (Black) - Left	1	1
6		1025716	Screw, Phillips Pan Head (#10-32 x 11/16")	1	1
7		47565X057	Bushing (7/32 x 3/8 x 11/32")	1	1
8		1026114	Screw, Phillips Pan Head (#10-32 x 1/2")	1	1
9		1028707	Spring, Release - Right	1	1
9		1028708	Spring, Release - Left	1	1
10		1028846	Rivnut (#10-32)	1	1
11		1025735	Locknut (#10-32)	1	1
12		1074108	Cap, End Tube (3/4")	1	1
13		1020534	Insert, Threaded	1	1
14		1070759	Screw, Hex Head (1/4-20 x 1-1/2")	1	1
15		1026099	Spacer, Coved (1/4 x 11/16 x 1/2")	1	2
16		1044214	Nut, Hex with Nylon Cap (1/4-20)	1	1
17	C	1074143	Kit, Slide Tube Mounting Hardware	1	1
	A,B	8881070768	Footrest Support Assembly, Adult, Color - Right	1	1
	A,B	8881070769	Footrest Support Assembly, Adult, Color - Left	1	1

NOTE: A - Specify frame color when ordering. See page titled "Frame Finishes, Touch-Up Paints and Upholstery Colors."  
 B - Not Shown  
 C - Per Side

# P93M Footrest Supports

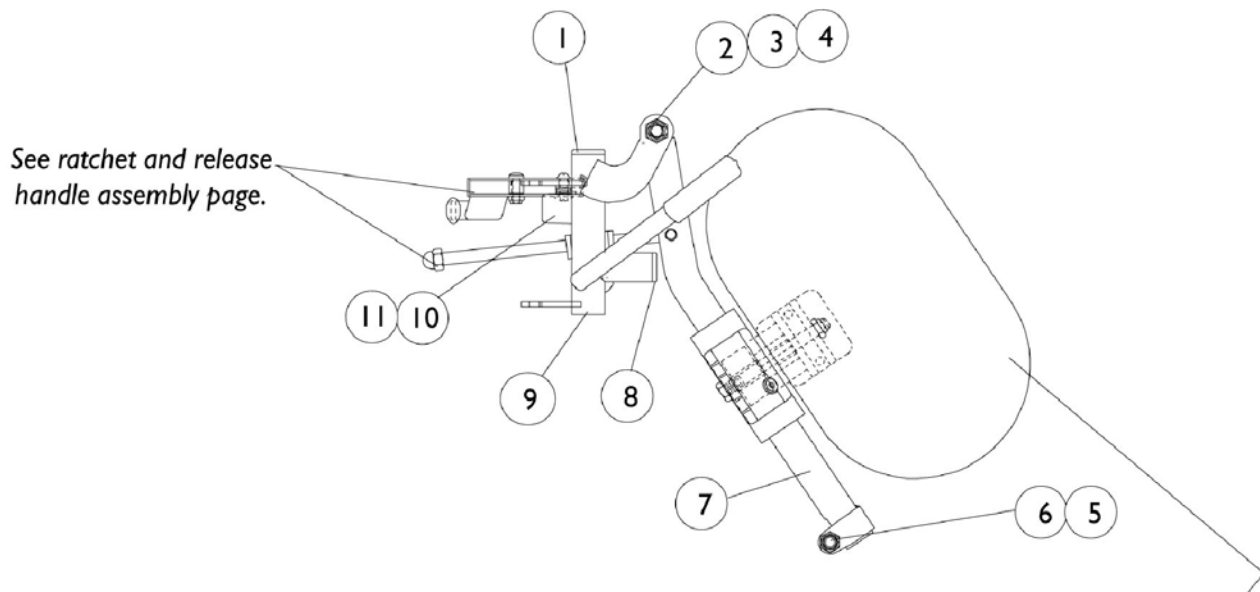


## P93M Footrest Supports

Item Number	Note	Part Number	Description	Quantity Per	
				Package	Assembly
1		40163X002	Screw, Phillips Round Head (#10-32 x 1/2")	1	1
2		40163X008	Screw, Phillips Pan Head (#10-32 x 11/16")	1	1
3		47565X057	Bushing (7/32 x 3/8 x 11/32")	1	1
4		1107321	Nut, Low Cap (5/16"-24)	1	1
5		1027095	Plug Button, Black (7/8")	1	2
6		11232X009	Screw, Lug (5/16-24 x 1-3/8")	1	1
7		1008935	Spring, Release - Right	1	1
7		1008936	Spring, Release - Left	1	1
8		1022874	Bumper	1	1
9		1030979	Screw, Phillips Pan Head Tap (#10-32 x 3/4")	1	1
10		67005X000	Rivnut (#10-32)	1	1
11		60279X003	Locknut (#10-32)	1	1
12		1023428	Handle, Release, Chrome - Right	1	1
12		1023431	Handle, Release, Chrome - Left	1	1
13	C	1006490	Tip, Plastic, Black	1	1
	A,B	8881037836	Footrest Support Assembly, Adult, Color - Right	1	1
	A,B	8881037837	Footrest Support Assembly, Adult, Color - Left	1	1
	B	1031191	Footrest Support Assembly, Adult, Chrome - Right	1	1
	B	1031192	Footrest Support Assembly, Adult, Chrome - Left	1	1

NOTE: A - Specify frame finish when ordering. See page titled "Frame Finishes, Touch-Up Paints and Upholstery Colors."  
 B - Not Shown  
 C - Before 10/1/00 only.

# P904A Legrest Supports



**NOTE:** Calf pad and hardware not included with support asbly. See calf pad and hardware page.

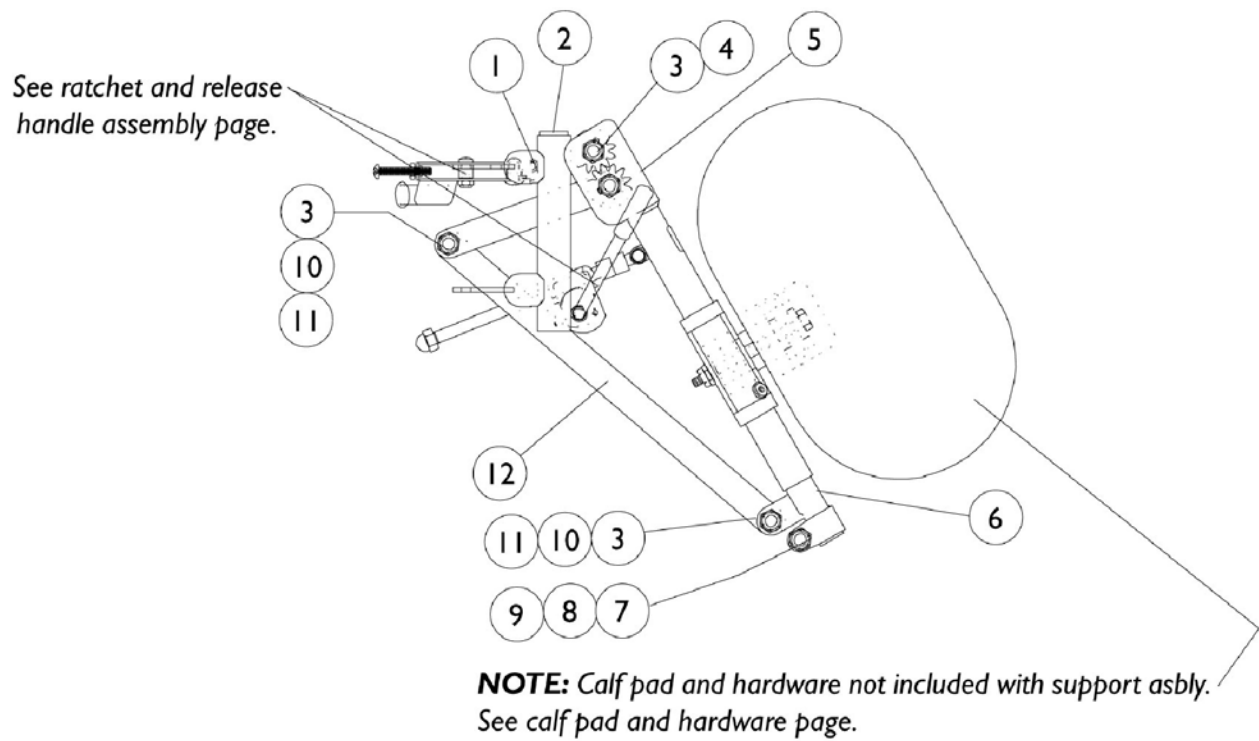
## P904A Legrest Supports

Item Number	Note	Part Number	Description	Quantity Per	
				Package	Assembly
1		1027095	Plug Button, Black (7/8")	1	1
2		11919X000	Screw, Truss Head (3/8-16 x 1-1/2")	1	1
3		1058636	Washer, Nylon (25/64 x 7/8 x 1/32")	1	2
4		40363X000	Hex Nut (3/8"-16)	1	1
5		1025730	Locknut (5/16-24)	1	1
6		1026030	Screw, Lug (5/16-24 x 1-3/8")	1	1
7		04526X040	Tube, Elevating Support (Chrome) - Right	1	1
7		04526X041	Tube, Elevating Support (Chrome) - Left	1	1
7	A	8881048851	Tube, Elevating Support (Color) - Right	1	1
7	A	8881048852	Tube, Elevating Support (Color) - Left	1	1
8		1027097	Plug Button, Black (3/4")	1	1
9		1058484	Tube, Legrest Support (Chrome) - Right	1	1
9		1058485	Tube, Legrest Support (Chrome) - Left	1	1
9	A	8881058664	Tube, Legrest Support (Color) - Right	1	1
9	A	8881058665	Tube, Legrest Support (Color) - Left	1	1
10		1022874	Bumper	1	1
11		1030979	Screw, Phillips Pan Head Tap (#10-32 x 3/4")	1	1
	A,B	8881058646	Legrest Support Assembly w/o Pad, Adult, Color - Right	1	1
	A,B	8881058647	Legrest Support Assembly w/o Pad, Adult, Color - Left	1	1
	B,C	1058488	Legrest Support Assembly w/o Pad, Adult, Silver Vein - Right	1	1
	B,C	1058489	Legrest Support Assembly w/o Pad, Adult, Silver Vein - Left	1	1

NOTE: A - Specify frame finish when ordering. See page titled "Frame Finishes, Touch-Up Paints and Upholstery Colors."  
 B - Not Shown  
 C - As of 7/6/07, chrome finish option is discontinued and no longer available.



# PAS4A/PAL4A Articulating Legrests

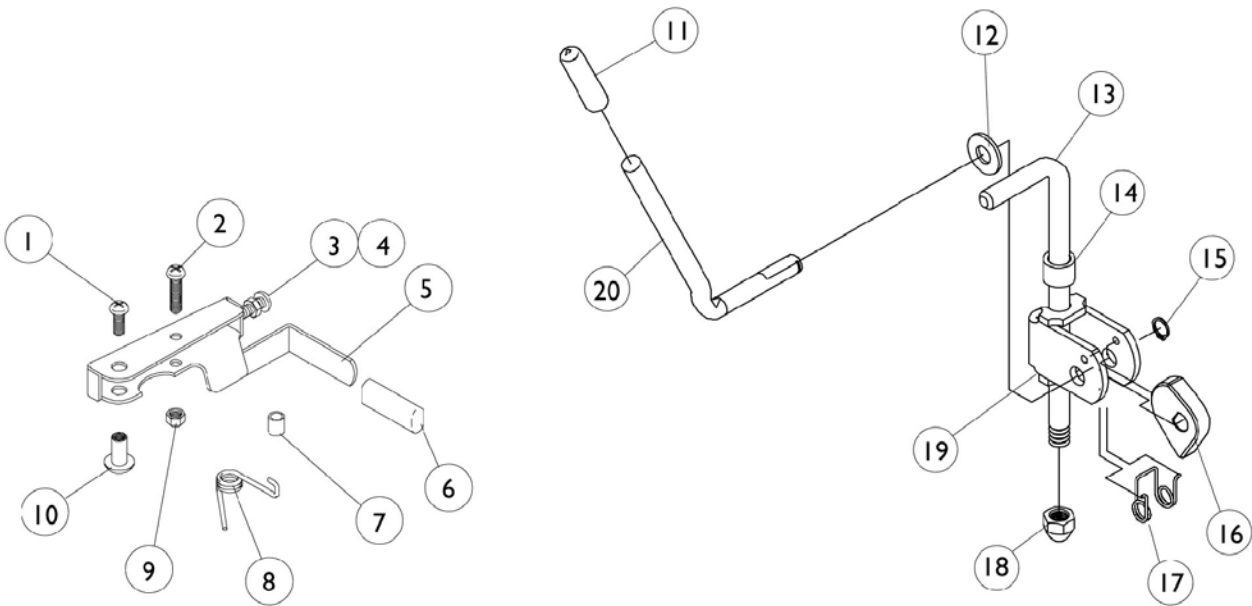


## PAS4A/PAL4A Articulating Legrests

Item Number	Note	Part Number	Description	Quantity Per	
				Package	Assembly
1		1058478	Tube, Legrest Support, Right	1	1
1		1058479	Tube, Legrest Support, Left	1	1
2		1027097	Plug Button, Black (3/4")	1	1
3		40363X000	Hex Nut (3/8"-16)	1	3
4		1022854	Screw, Slotted Head Shoulder (1/2 x 1-1/8")	1	1
5		1022877	Tube Support and Drive Link - Right	1	1
5		1022878	Tube Support and Drive Link - Left	1	1
6		1022848	Slide Tube, Articulating (Chrome) - Right	1	1
6		1022849	Slide Tube, Articulating (Chrome) - Left	1	1
7		1027377	Washer (#20)	1	1
8		60264X001	Locknut (5/16-24)	1	1
9		11232X009	Screw, Lug (5/16-24 x 1-3/8")	1	1
10		1022866	Screw, Socket Button Head (3/8-16 x 3/4")	1	2
11		1049527	Washer, Nylon (3/8 x 3/4 x 1/16")	1	2
12		1022846	Bar, Link, Chrome	1	1
	A,B	1058482	Legrest Support, Articulating (Chrome) - Right	1	1
	A,B	1058483	Legrest Support, Articulating (Chrome) - Left	1	1

NOTE: A - Not Shown  
B - 14-20" Wide

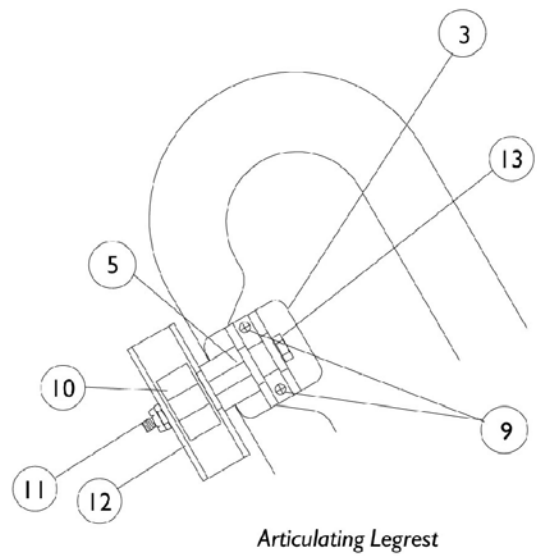
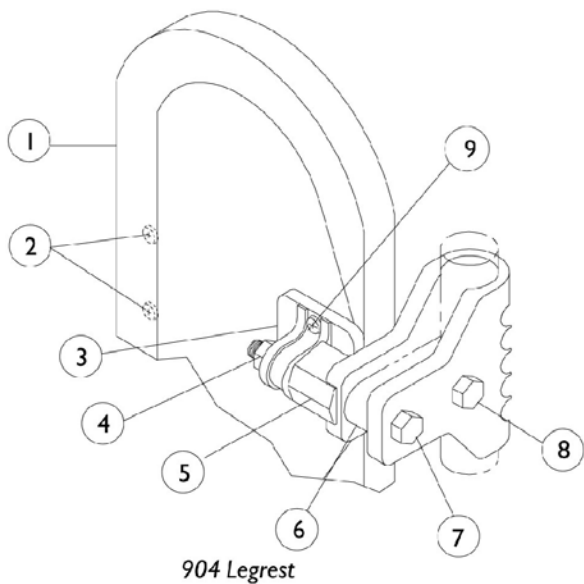
# Legrest Release Handles and Ratchet Assembly



## Legrest Release Handles and Ratchet Assembly

Item Number	Note	Part Number	Description	Quantity Per	
				Package	Assembly
1		1025716	Screw, Phillips Pan Head (#10-32 x 11/16")	1	1
2		1026114	Screw, Phillips Pan Head (#10-32 x 1/2")	1	1
3	A	1026107	Screw, Phillips Pan Head (#10-32 x 1-3/8")	1	1
4	A	1028485-NLA	Nut, Hex (#10-32)	1	1
5		1035539	Handle, Release (Black) - Right	1	1
5		1035540	Handle, Release (Black) - Left	1	1
6	A	1006490	Tip, Plastic, Black	1	1
7		47565X057	Bushing (7/32 x 3/8 x 11/32")	1	1
8		1028707-NLA	Spring, Release - Right	1	1
8		1028708	Spring, Release - Left	1	1
9		1023260	Screw (M8 x 1-1/4 x 20MM)	1	1
10		1028846	Rivnut (#10-32)	1	1
11		1040060	Tip, Black Plastic	1	1
12		1013519	Washer, Nylon (5/16 x 11/16 x 1/16")	1	1
13	B	42326X004	Bar, Ratchet - Right/Left	1	1
13	C	1023811	Bar, Ratchet - Right	1	1
13	C	1023812	Bar, Ratchet - Left	1	1
14		47330X003	Spacer (5/16 x 1/2 x 3/8")	2	2
15		1040831	Snap Ring	1	1
16		1037125	Cam, Legrest	1	1
17		1037485	Spring, Release	1	1
18		10261X000	Acorn Nut (5/16"-24)	1	1
19		04528X002	Bracket, Release (Chrome)	1	1
20		1037126	Handle, Release	1	1
NOTE: A - Before 10/1/00 only. B - For 904 Legrests C - For Articulating Legrests					

# Calf Pads and Attaching Hardware



## Calf Pads and Attaching Hardware

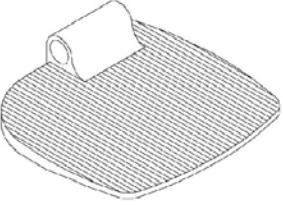
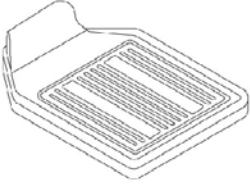
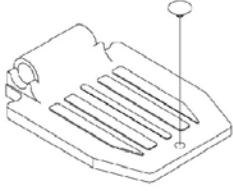
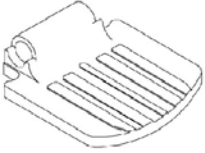
Item Number	Note	Part Number	Description	Quantity Per	
				Package	Assembly
1	A,B	88804529X003	Pad, Legrest Vinyl - Right	1	1
1	A,B	88804529X004	Pad, Legrest Vinyl - Left	1	1
1	A,C,D	1091767-NLA	Pad with Screws, Legrest (Pair)	2	1
1	A,C,E	8881091764	Pad, Legrest Vinyl - Right/Left	1	1
1		01415X000-NLA	Cover, Legrest Pad	1	1
2		40163X006	Screw, Phillips Pan Head (#10-14 x 1/16")	1	1
3		04526X019	Plate, Legrest Pad	1	1
4		1025730	Locknut (5/16-24)	1	1
5		1025133	Spacer, Legrest Pad	1	1
6		1032267	Spacer, Legrest Pad Mounting	1	1
7		1037110	Screw, Hex Head (5/16-24 x 3-1/2")	1	1
8		1028514	Screw, Hex Head (5/16-24 x 1-1/2")	1	1
9		1066591	Screws, Phillips Head (#10-32 x 11/16")	2	1
10		48823X008	Spring, Leaf	1	1
11		60264X001	Locknut (5/16-24)	1	1
12		1025104	Bracket, Legrest (Chrome)	1	1
13		1014807	Screw, Hex Head (5/16-24 x 3-1/4")	1	1
NOTE: A - Specify upholstery color when ordering. See page titled "Frame Finishes, Touch-Up Paints and Upholstery Colors." B - 14-15" Wide C - 16-20" Wide D - Before 9/5/00 E - After 9/4/00					

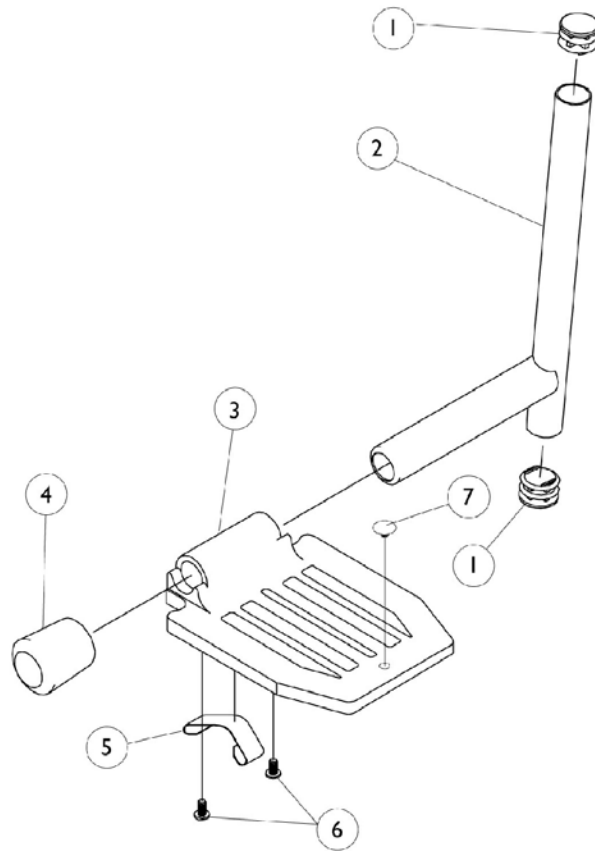
# Pivot/ Slide Tube and Footplate

## P93, P93E, P93M

NOTE: Heel loops are not included. See page titled "Footrest and Legrest Accessories".

NOTE: For complete pivot/slide tube and footplate assemblies, see page titled "Front Riggings Reference Chart".

			
1350 Extra large	1450 Deluxe	16" to 20" Wide	14" Wide



## Pivot/ Slide Tube and Footplate P93, P93E, P93M

**NOTE: Heel loops are not included. See page titled "Footrest and Legrest Accessories".**

**NOTE: For complete pivot/slide tube and footplate assemblies, see page titled "Front Riggings Reference Chart".**

Item Number	Note	Part Number	Description	Quantity Per	
				Package	Assembly
1		1027097	Plug Button, Black (3/4")	1	1
2	B,D,E	1041527	Pivot/Slide Tube with Plug Button (Black)	1	1
2	E	1086479	Pivot Slide Tube with Plug Button, 2" Longer (Black)	1	1
2	E	1086480	Pivot Slide Tube with Plug Button, 4" Longer (Black)	1	1
2		1041525	Pivot/Slide Tube with Plug Button - Deluxe Aluminum	1	1
3	C	44200X059	Footplate, Aluminum - Small (6-3/4" W x 6" L)	1	1
3	A	44200X027	Footplate, Aluminum - Medium (7-3/4" W x 6" L)	1	1
3		1043659	Footplate, Aluminum - Deluxe (8" W x 5-3/4" L) - Right	1	1
3		1043660	Footplate, Aluminum - Deluxe (8" W x 5-3/4" L) - Left	1	1
3	C	1002343	Footplate, Aluminum - Extra Large (7" W x 8-1/2" L) - Right	1	1
3	C	1002344	Footplate, Aluminum - Extra Large (7" W x 8-1/2" L) - Left	1	1
3		44200X025	Footplate, Aluminum - Extra Large (8" W x 8-1/2" L) - Right	1	1
3		44200X026	Footplate, Aluminum - Extra Large (8" W x 8-1/2" L) - Left	1	1
4	D	1016346	Cap, Tube End (7/8")	1	1
4	E	1027095	Plug Button, Black (7/8")	1	1
5	D	1006981	Spring, Leaf	1	1
5	B	1036120	Spring	1	2
5	E	1036123	Spring, Leaf	1	1
6		40120X001	Screw, Phillips Pan Head (#8-32 x 3/8")	1	2
7		1070168	Push Plug, Footplate	1	1

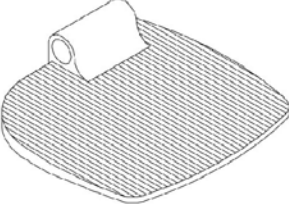
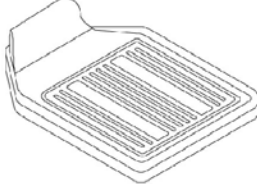
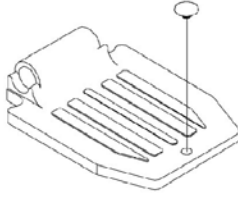
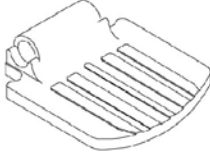
NOTE: A - Aluminum footplates on chairs built before 2/96 had a "Bright aluminum" finish. Footplates after 1/96 now have a black finish. When replacing 1 Bright aluminum footplate, it is suggested that 2 new (black) footplates are ordered.  
 B - Deluxe Aluminium Footplate  
 C - 14" Wide  
 D - Standard Aluminium Footplate  
 E - Extra Large Aluminium Footplate

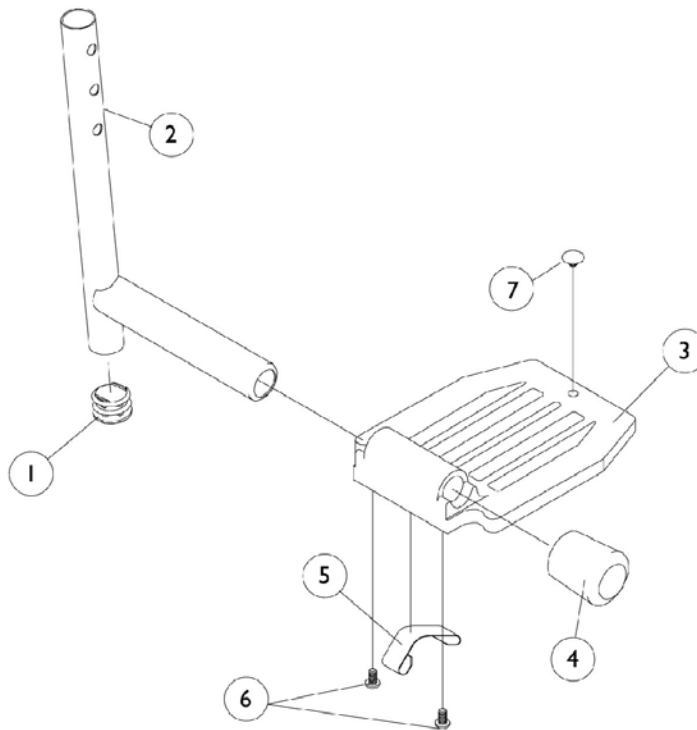


# Pivot/ Slide Tube and Footplate PW93, PW93E

NOTE: Heel loops are not included. See page titled "Footrest and Legrest Accessories".

NOTE: For complete pivot/slide tube and footplate assemblies, see page titled "Front Riggings Reference Chart".

			
<p>1350 Extra large</p>	<p>1450 Deluxe</p>	<p>16" to 20" Wide Standard Alum.</p>	<p>14" Wide Standard Alum.</p>



## Pivot/ Slide Tube and Footplate PW93, PW93E

**NOTE: Heel loops are not included. See page titled "Footrest and Legrest Accessories".**

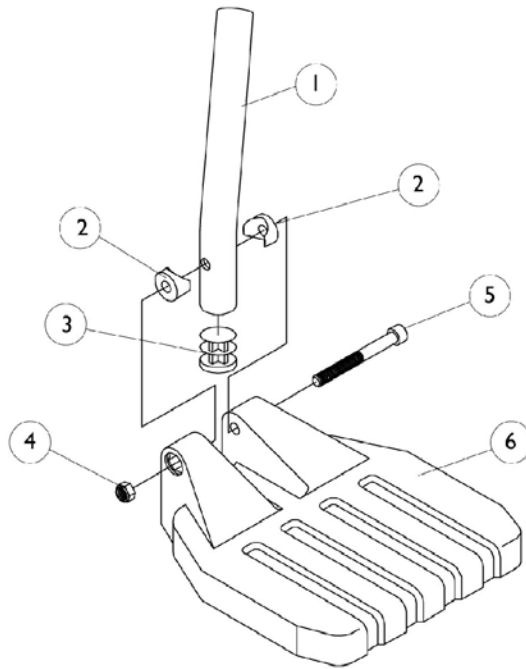
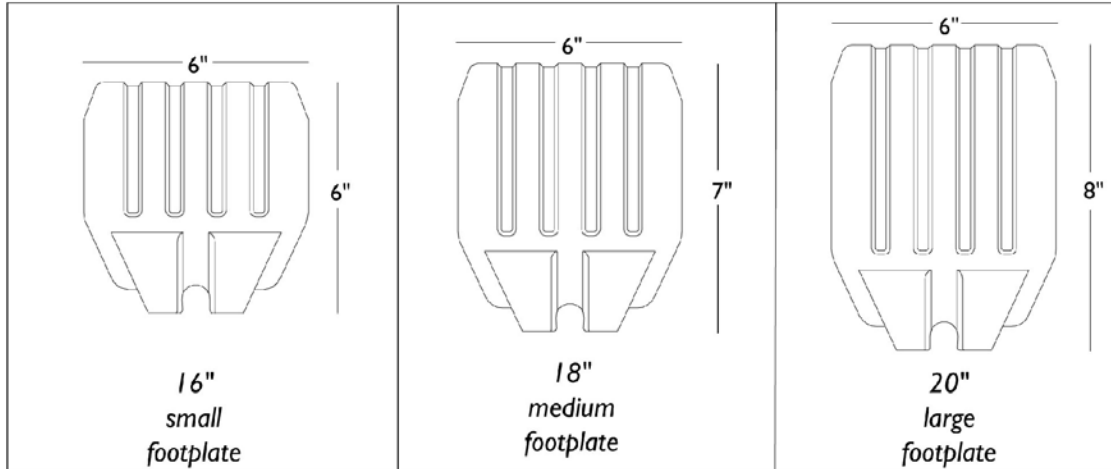
**NOTE: For complete pivot/slide tube and footplate assemblies, see page titled "Front Riggings Reference Chart".**

Item Number	Note	Part Number	Description	Quantity Per	
				Package	Assembly
1		1027097	Plug Button, Black (3/4")	1	1
2	A,B	1048834	Pivot/Slide Tube with Plug Button	1	1
2	A,B	1098906	Pivot/Slide Tube with Plug Button - 2" Longer	1	1
2	A,B	1086482	Pivot/Slide Tube with Plug Button - 4" Longer	1	1
2	C	1070762	Pivot/Slide Tube with Plug Button, Deluxe Aluminum	1	1
3	D	44200X059	Footplate, Aluminum - Small (6-3/4" W x 6" L)	1	1
3	E	44200X027	Footplate, Aluminum - Medium (7-3/4" W x 6" L)	1	1
3	F	1002343	Footplate, Aluminum - Extra Large (7" W x 8-1/2" L) - Right	1	1
3	F	1002344	Footplate, Aluminum - Extra Large (7" W x 8-1/2" L) - Left	1	1
3	G	44200X025	Footplate, Aluminum - Extra Large (8" W x 8-1/2" L) - Right	1	1
3	G	44200X026	Footplate, Aluminum - Extra Large (8" W x 8-1/2" L) - Left	1	1
3	H	1043659	Footplate, Aluminum - Deluxe (8" W x 5-3/4" L) - Right	1	1
3	H	1043660	Footplate, Aluminum - Deluxe (8" W x 5-3/4" L) - Left	1	1
4	A	1016346	Cap, Tube End (7/8")	1	1
4	B	1027095	Plug Button, Black (7/8")	1	1
5	A	1006981	Spring, Leaf	1	1
5	C	1036120	Spring	1	2
5	B	1036123	Spring, Leaf	1	1
6		40120X001	Screw, Phillips Pan Head (#8-32 x 3/8")	1	1
7		1070168	Push Plug, Footplate	1	1
<p><b>NOTE:</b> A - For Standard Aluminium Footplates            B - For 1350 Extra Large Aluminium Footplates            C - For 1450 Deluxe Aluminium Footplates            D - For 14" wide with Standard Aluminum Footplates            E - For 16-20" wide with Standard Aluminum Footplates            F - For 14" wide with 1350 Extra Large Aluminum Footplates            G - For 16-20" wide with 1350 Extra Large Aluminum Footplates            H - For 16-20" wide with 1450 Deluxe Aluminum Footplates</p>					

# Pivot/ Slide Tube and Footplate P93ST/PW93ST

NOTE: Heel loops are not included. See page titled "Footrest and Legrest Accessories".

NOTE: For complete pivot/slide tube and footplate assemblies, see page titled "Front Riggings Reference Chart".



## Pivot/ Slide Tube and Footplate P93ST/PW93ST

**NOTE: Heel loops are not included. See page titled "Footrest and Legrest Accessories".**

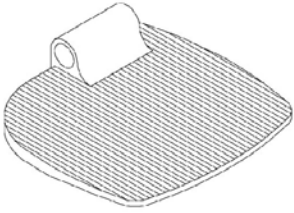
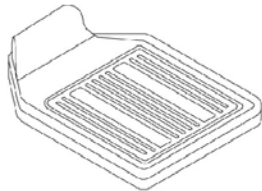
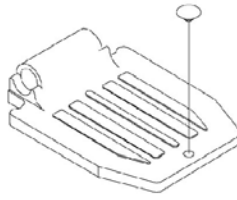
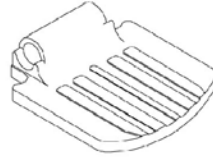
**NOTE: For complete pivot/slide tube and footplate assemblies, see page titled "Front Riggings Reference Chart".**

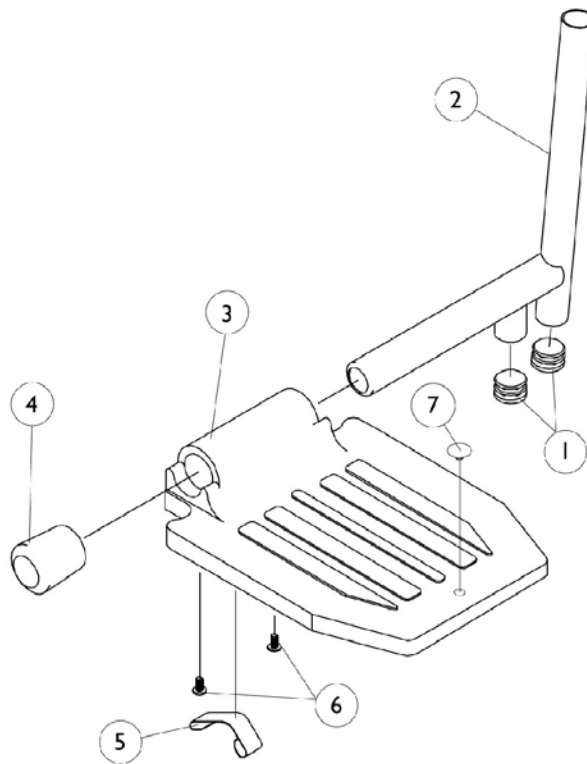
Item Number	Note	Part Number	Description	Quantity Per	
				Package	Assembly
1	D	1120382	Pivot Slide Tube, Curved End - Long (9-7/8" Long)	1	1
1	E	1057852	Pivot/Slide Tube, Curved End (9-7/8") (Steel)	1	1
2		1025457	Spacer, Coved (1/4 x 3/4 x 11/32")	1	2
3		1027097	Plug Button, Black (3/4")	1	1
4		1025195	Locknut (1/4-20)	1	1
5		60285X006	Screw, Socket Head Cap (1/4-20 x 2-1/4")	1	1
6	A	1026879	Footplate, Composite - Small (6" W x 6" L)	1	1
6	B	1026880	Footplate, Composite - Medium (7" W x 6" L)	1	1
6	C	1026881	Footplate, Composite - Large (8" W x 6" L)	1	1
NOTE: A - For chairs 16" wide B - For chairs 18" wide C - For chairs 20" wide D - P93ST E - PW93ST					

# Pivot/ Slide Tube and Footplate

## P904, PAL4A, PAS4A

**NOTE:** Heel loops are not included. See page titled "Footrest and Legrest Accessories".  
**NOTE:** For complete pivot/slide tube and footplate assemblies, see page titled "Front Riggings Reference Chart".

			
1350 Extra large	1450 Deluxe	16" to 20" Wide	14" Wide



## Pivot/ Slide Tube and Footplate P904, PAL4A, PAS4A

**NOTE: Heel loops are not included. See page titled "Footrest and Legrest Accessories".**

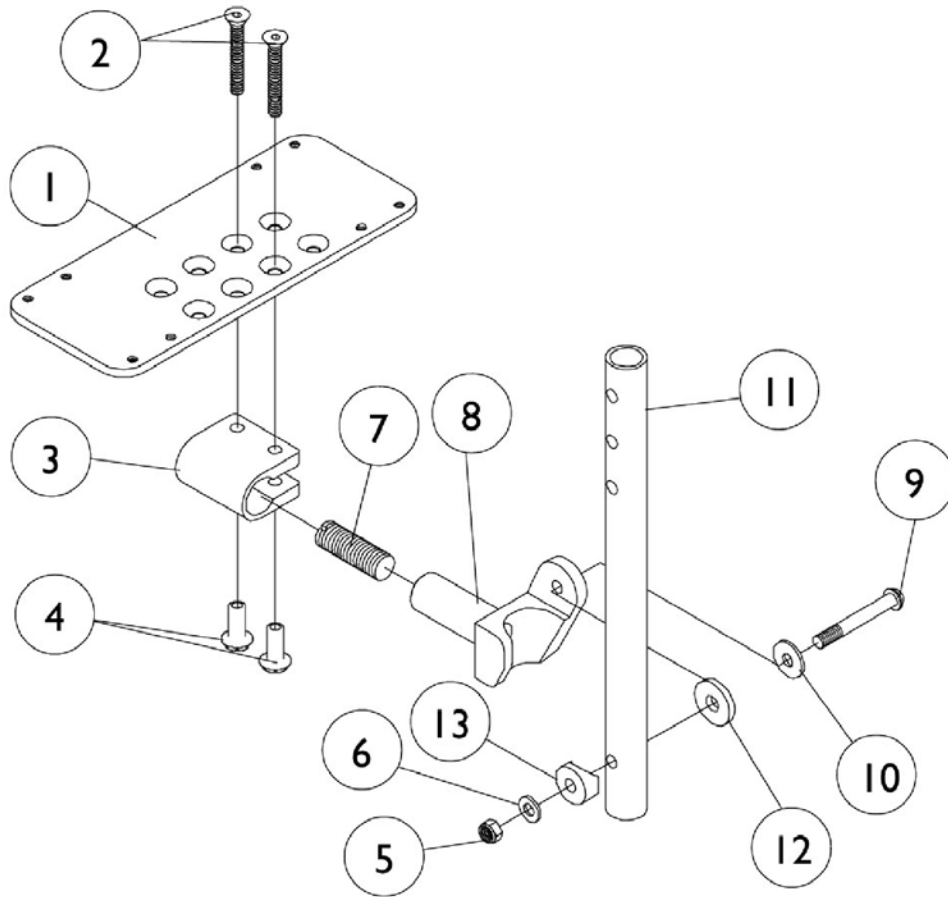
**NOTE: For complete pivot/slide tube and footplate assemblies, see page titled "Front Riggings Reference Chart".**

Item Number	Note	Part Number	Description	Quantity Per	
				Package	Assembly
1		1027097	Plug Button, Black (3/4")	1	1
2	C,E,F	1100568	Pivot/Slide Tube with Plug Button (Black)	1	1
2	C	1100569	Pivot/Slide Tube with Plug Button Extra Large and Standard Aluminium - 2" Longer	1	1
2	C,E,F	1100570	Pivot/Slide Tube with Plug Button - 4" Longer	1	1
2	B,E,F	1041526	Pivot/Slide Tube with Plug Button (Steel)	1	1
2	C,G	1100571	Pivot/Slide Tube with Plug Button - Deluxe	1	1
3	D	44200X059	Footplate, Aluminum - Small (6-3/4" W x 6" L)	1	1
3	A	44200X027	Footplate, Aluminum - Medium (7-3/4" W x 6" L)	1	1
3		1043659	Footplate, Aluminum - Deluxe (8" W x 5-3/4" L) - Right	1	1
3		1043660	Footplate, Aluminum - Deluxe (8" W x 5-3/4" L) - Left	1	1
3	D	1002343	Footplate, Aluminum - Extra Large (7" W x 8-1/2" L) - Right	1	1
3	D	1002344	Footplate, Aluminum - Extra Large (7" W x 8-1/2" L) - Left	1	1
3		44200X025	Footplate, Aluminum - Extra Large (8" W x 8-1/2" L) - Right	1	1
3		44200X026	Footplate, Aluminum - Extra Large (8" W x 8-1/2" L) - Left	1	1
4	E	1016346	Cap, Tube End (7/8")	1	1
4	F	1027095	Plug Button, Black (7/8")	1	1
5	E	1006981	Spring, Leaf	1	2
5	G	1036120	Spring	1	2
5	F	1036123	Spring, Leaf	1	1
6		40120X001	Screw, Phillips Pan Head (#8-32 x 3/8")	1	1
7		1070168	Push Plug, Footplate	1	1

NOTE: A - Aluminum footplates on chairs built before 2/96 had a "Bright aluminum" finish. Footplates after 1/96 now have a black finish. When replacing 1 Bright aluminum footplate, it is suggested that 2 new (black) footplates be ordered.  
 B - PAL4/PAS4A  
 C - P904  
 D - 14" Wide  
 E - Standard Aluminium Footplate  
 F - Extra Large Aluminium Footplate  
 G - Deluxe Aluminium Footplate

# AT5543 Adjustable Angle Footplate Assemblies PW93, PW93E

NOTE: Heel loops are not included. See page titled "Footrest and Legrest Accessories".  
NOTE: For complete pivot/slide tube and footplate assemblies, see page titled "Front Riggings Reference Chart".



# AT5543 Adjustable Angle Footplate Assemblies

## PW93, PW93E

**NOTE: Heel loops are not included. See page titled "Footrest and Legrest Accessories".**

**NOTE: For complete pivot/slide tube and footplate assemblies, see page titled "Front Riggings Reference Chart".**

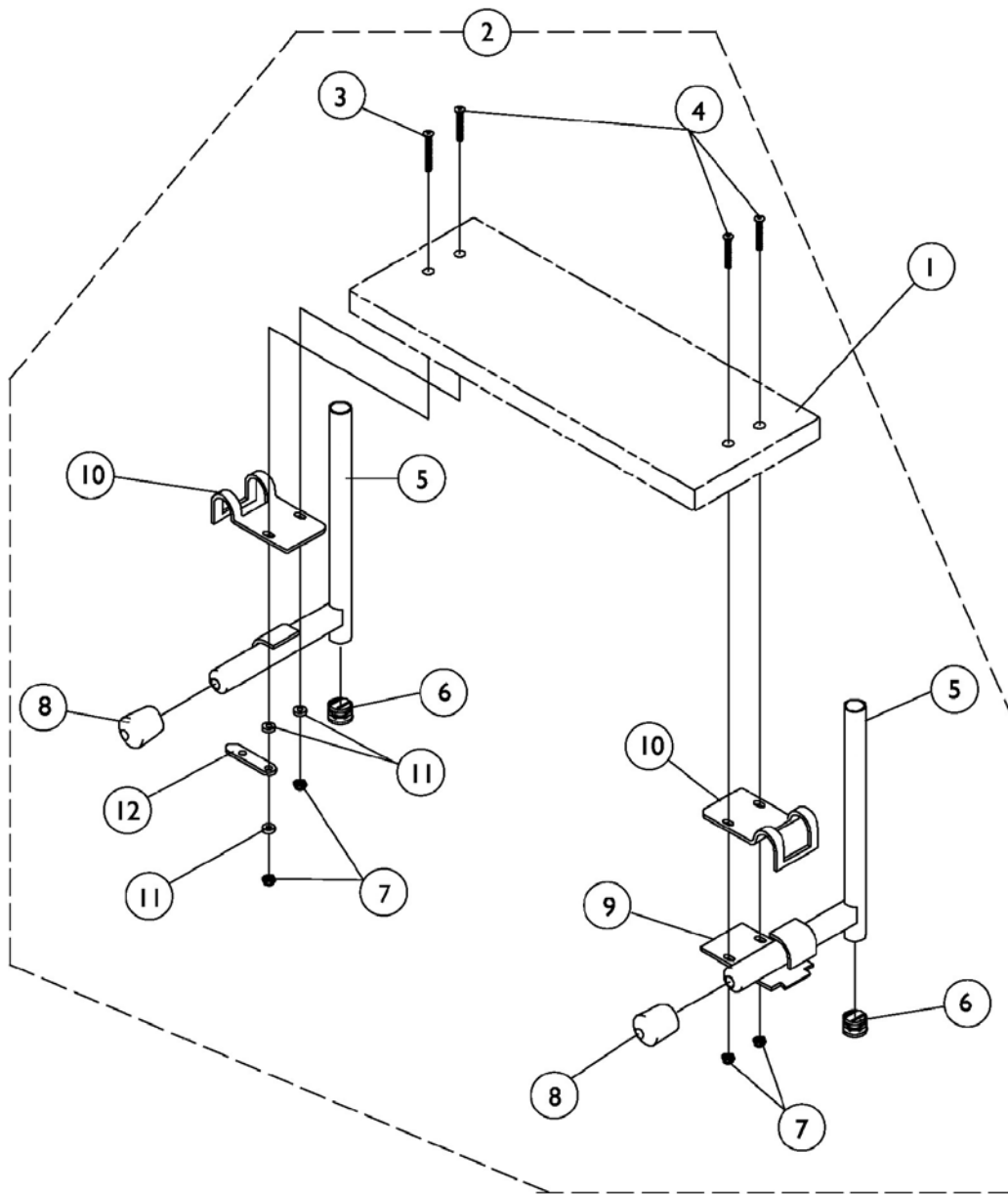
Item Number	Note	Part Number	Description	Quantity Per	
				Package	Assembly
1	B	1060427	Footplate, Adjustable Angle - Large (5-1/4" W x 8" L)	1	1
1	C	1062569	Footplate, Adjustable Angle - X-Large (6-1/4" W x 8" L)	1	1
2	A	1029545	Screw, Socket Head Cap (1/4-20 x 3/4")	1	2
3	A	1058517	Clamp, Footplate	1	1
4	A	1082686	Nut, Hex Head (1/4-20 x 11/16")	1	2
5		1025736	Locknut (1/4-20)	1	1
6		1026907	Washer (1/4 x 1/2 x 1/16")	1	1
7		1048816	Screw, Nylon Adjustment (1/2-13 x 7/8")	1	1
8		1052102	Hinge, Footplate - Right	1	1
8		1052103	Hinge, Footplate - Left	1	1
9		1022831	Screw, Socket Button Head (1/4-20 x 1-7/8")	1	1
10		1026900	Washer (1/4 x 23/32 x 1/16")	1	1
11		1057855	Pivot/Slide Tube, Straight (9-7/8" Long - Steel)	1	1
12		1016301	Washer, Nylon (5/16 x 7/8 x 1/8")	1	1
13		1025457	Spacer, Coved (1/4 x 3/4 x 11/32")	1	1

NOTE: A - Items 2-4 must be ordered together for chairs manufactured before 8/10/99 due to a hardware change.  
 B - 14" Wide  
 C - 16" and Wider



# S1263 One Piece Wooden Footboard and Hardware

P93, P93E, P93M, PW93, PW93E



# S1263 One Piece Wooden Footboard and Hardware

## P93, P93E, P93M, PW93, PW93E

Item Number	Note	Part Number	Description	Quantity Per	
				Package	Assembly
1		See Chart	#1 One Piece Wooden Footboard	1	1
	A	See Chart	Heel Loop Hardware Packages	1	1
2	B	1032013	Kit, Wooden Footboard Mounting Hardware	1	1
3			Screw, Phillips Oval Head (#10-32 x 1-1/2")	1	1
4			Screw, Phillips Oval Head (#10-32 x 1-1/4")	1	3
5			Tube, Slide - Right	1	1
5			Tube, Slide - Left	1	1
6			Plug Button, Black (3/4")	1	2
7			Locknut (#10-32)	1	4
8			Cap, Tube End (7/8")	1	2
9			Lock, Pad Plate, Legrest	1	1
10			Clamp	1	2
11			Washer, Nylon (3/16 x 7/16 x 1/8")	1	3
12			Link, Locking	1	1
2	C	1054573	Kit, Wooden Footboard Mounting Hardware	1	1
3			Screw, Phillips Oval Head (#10-32 x 1-1/2")	1	1
4			Screw, Phillips Oval Head (#10-32 x 1-1/4")	1	3
5			Tube, Pivot/Slide - Right (Chrome)	1	1
5			Tube, Pivot/Slide - Left (Chrome)	1	1
6			Plug Button, Black (3/4")	1	2
7			Locknut (#10-32)	1	4
8			Cap, Tube End (7/8")	1	2
9			Lock, Pad Plate, Legrest	1	1
10			Clamp	1	2
11			Washer, Nylon (3/16 x 7/16 x 1/8")	1	3
12			Link, Locking	1	1

NOTE: A - Not Shown.  
 B - Includes items 3-12 and used for P93, P93E, P93M and P904  
 C - Includes items 3-12 and used for PW93 and PW93E only.

### #1 One Piece Wooden Footboard

# S1263 One Piece Wooden Footboard and Hardware

## P93, P93E, P93M, PW93, PW93E

### #1 One Piece Wooden Footboard

Footrest- Footboard w/ Heel Loop Holes Part Number	Legrest- Footboard w/o Heel Loop Holes Part Number	Chair Width	Footboard Width	Footboard Depth
1034245	48247X003	14"	11-5/8"	6"
1034247	48247X001	16"	13-3/4"	6"
1034249	48247X000	18"	15-9/16"	6"
1034251	1031913	20"	17-1/2"	6"

# S1263 One Piece Wooden Footboard and Hardware

## P93, P93E, P93M, PW93, PW93E

### Heel Loop Hardware Packages (not shown)

(All hardware is included to attach heel loops to footboard.)

Chair Width	Part Number	Package Includes
14-15" Wide	1033904	2 each Heel Loops 4 each Screw, PPH (1/4-20 x 3") 4 each Spacer (1/4 x 11/32 x 1-3/4") 4 each Locknut (1/4-20)
16"-24" Wide	1033905	2 each Heel Loops 4 each Screw, PPH (1/4-20 x 3") 4 each Spacer (1/4 x 11/32 x 1-3/4") 4 each Locknut (1/4-20)

# Footrest and Legrest Accessories

## Heel Loops (1346)

Footplate Type	Heel Loop Single #	Heel Loop Pair #	Heel Loop with Ankle Strap - Right Single #	Heel Loop with Ankle Strap - Left Single #	Heel Loop with Ankle Strap Pair #	Attaching Hardware Pair #
Composite (1651) 16" Wide Tapered	1028412	1035912	1035908	1035909	1035906	1035931
Composite (1651) 18" Wide Tapered	1017621	1035917	1035919	1035920	1035918	1035931
Composite (1651) 20" Wide Tapered	1017621	1035917	1035932	1035933	1035930	1035931
Standard Aluminum (1650) 14" Wide	1025234	1035905	1035908	1035909	1035906	1035907
Standard Aluminum (1650) 16-20" Wide	1017621	1035917	1035919	1035920	1035918	1035907
Deluxe Aluminum (1450) 16-20" Wide	1017621	1035917	1035919	1035920	1035918	1086112
X-Large Aluminum (1350) 14" Wide	1025234	1035905	1035908	1035909	1035906	1055241
X-Large Aluminum (1350) 16-20" Wide	1017621	1035917	1035919	1035920	1035918	1055241
Adjustable Angle (AT5543)	1006327	1038245 See Note(s) A	1038229	1038229	1038246 See Note(s) A	N/A

NOTE: A - These Assemblies include the Attaching Hardware.

# Footrest and Legrest Accessories

## Heel Loop Hardware

Footplate Type	Part Number	Consists of:
Adjustable Angle (AT5543)	1038245	(2) each Heel Loops, (4) each - Screw, Socket Cap (#10-32 x 1-1/2"), (4) each - Spacer (1/4 x 5/16 x 1-3/32"), and (4) each - Washer (3/16 x 7/16 x 1/16").
Adjustable Angle (AT5543)	1038246	(2) each Heel Loops with Ankle Straps, (4) each - Screw, Socket Cap (#10-32 x 1-1/2"), (4) each - Spacer (1/4 x 5/16 x 1-3/32"), and (4) each - Washer (3/16 x 7/16 x 1/16").
Composite 16-20" W (1651)	1035931	(2) each - Screw, Pan Head (1/4-20 x 2-1/4"), (2) each - Spacer (1/4 x 11/32 x 1-3/4"), and (2) each - Locknut (1/4-20").
X-Large Aluminum 14-20" W (1350)	1055241	(2) each - Screw, Pan Head (1/4-20 x 2-1/4"), (2) each - Spacer (1/4 x 11/32 x 1-3/4"), and (2) each - Locknut (1/4-20").
Standard Aluminum 14-20" W (1650)	1035907	(2) each - Screw, Phillips Head (1/4-20 x 2-1/2"), (2) each - Spacer (1/4 x 11/32 x 1-3/4"), and (2) each - Locknut (1/4-20").
Deluxe Aluminum 16-20" W (1450)	1086112	(2) each - Screw, Phillips Head (1/4-20 x 2-1/2"), (2) each - Spacer (1/4 x 11/32 x 1-3/4"), and (2) each - Locknut (1/4-20").

## Toe Loops (1345)

Footplate Type	Toe Loop w/o Hardware Single #	Toe Loop w/o Hardware Pair #	Attaching Hardware Part Number	Attaching Hardware Consists of

# Footrest and Legrest Accessories

## Toe Loops (1345)

Footplate Type	Toe Loop w/o Hardware Single #	Toe Loop w/o Hardware Pair #	Attaching Hardware Part Number	Attaching Hardware Consists of
1651, 1650, 1450, 1350, Footplates	04572X025	1037087	1037089	(4) each Screw, PPH (#10-32 x 7/8"), (4) each Washer (1/4 x 3/4 x 3/32"), and (4) each Locknut (#10-32).
AT5543 Footplates	04572X025	1037087	1104749	(4) each Screw, PPH (#10-32 x 1/2") and (4) each Washer (1/4 x 3/4 x 3/32").

# Footrest and Legrest Accessories

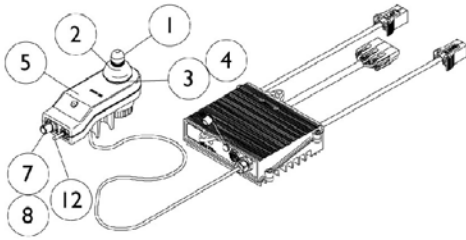
## Miscellaneous Accessories

Part Number	Description
1026987	Impact Guard (8") (IMPACTG)
1034206	Non-Removable Device (pair) (1820)
1032003	"H" Heel Strap (9342) 14" Wide
1032002	"H" Heel Strap (9342) 16-20" Wide
1035902	Calf Strap (1337)
8881006725 See Note(s) A	Footrest Support Panel (1348) 14-16" Wide
8881006726 See Note(s) A	Footrest Support Panel (1348) 18" Wide
8881006727 See Note(s) A	Footrest Support Panel (1348) 20" Wide
8881035816 See Note(s) A	Legrest Support Panel (1348) 14-16" Wide
8881035817 See Note(s) A	Legrest Support Panel (1348) 18" Wide
8881035818 See Note(s) A	Legrest Support Panel (1348) 20" Wide
NOTE: A - Specify upholstery color when ordering. See page titled "Frame Finishes, Touch-Up Paints and Upholstery Colors."	
NOTE: These items are not shown	



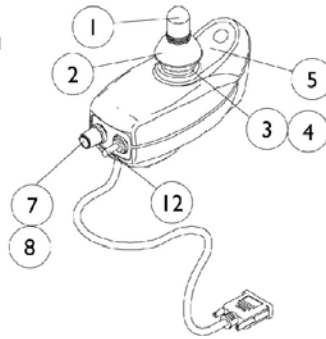
# MKIV Joysticks

## RII, RX, A, A+, TCHJOY

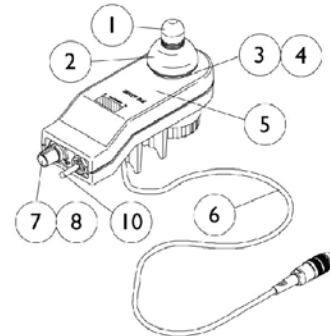


**1080723NLA**  
**RII Joystick/Controller**  
**Before 5/1/00**

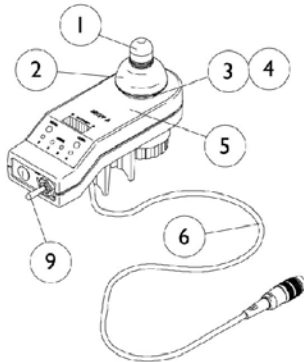
⊕ For chairs made before 5/1/00,  
the following must be ordered:  
RII Joystick part # (1092610)  
RII Retro Controller part # (1095269)  
Remote Programmer part # (1109091)



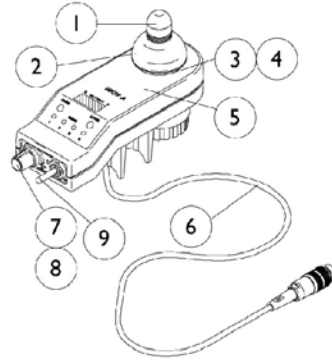
**1092610**  
**RII Joystick**  
**After 4/30/00**



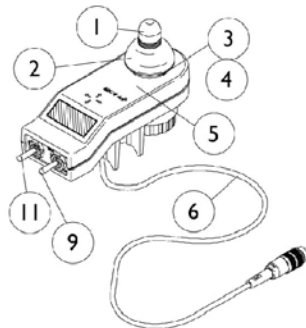
**1038603**  
**RX Joystick**



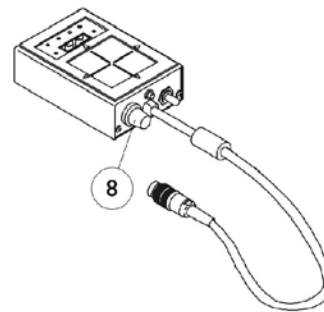
**1038604**  
**A Joystick**  
**Before 9/1/96**



**1065944**  
**A Joystick**  
**After 8/31/96**



**1038608**  
**A+ Joystick**



**1095289**  
**TCHJOY**  
**Touchpad "A"**  
**Joystick**

## MKIV Joysticks RII, RX, A, A+, TCHJOY

Item Number	Note	Part Number	Description	Quantity Per	
				Package	Assembly
	A,C	1080723-NLA	Joystick/Controller, MKIV RII	1	1
	B	1095269	Controller, MKIV RII Retro	1	1
	B	1109091	Programmer, Remote	1	1
	B	See Chart	MKIV Joysticks	1	1

NOTE: A - For chairs made before 5/1/00, the following must be ordered, RII Joystick #1092610, RII Retro Controller #1095269 and Remote Programmer #1109091.  
 B - Not Shown  
 C - For joystick inductive and switch components, refer to chart under RII joystick assembly #1092610.

Item Number	Description	RII	RX	A		A+	TCHJOY
				Before 9/1/96	After 8/31/96		
See Pictorial	Joystick Assembly	1092610	1038603-NLA	1038604-NLA	1065944	1038608	1095289
1	Knob, Joystick	1040217	1040217	1040217	1040217	1040217	N/A
2	Skirt, Joystick	1040218	1040218	1040218	1040218	1040218	N/A
3	Inductive, Joystick Before 10/1/02 See Note(s) E	1036764 See Note(s) B	1036764 See Note(s) C	1036764 See Note(s) B	1036764 See Note(s) C	1036764 See Note(s) B	N/A
3	Inductive, Joystick After 9/20/02 See Note(s) E	N/A	1104397 See Note(s) D	N/A	1104397 See Note(s) D	N/A	N/A
4	Boot, Joystick	50000X364	50000X364	50000X364	50000X364	50000X364	N/A
5	Overlay, Joystick Decal	1049692-NLA See Note(s) A	1038642	1040190	1040190	1036776	N/A
6	Cable Assembly Before 10/1/02	N/A See Note(s) A	1036750 See Note(s) C	1036750 See Note(s) B	1036750 See Note(s) C	1036750 See Note(s) B	N/A
6	Cable Assembly After 9/20/02	N/A	1104205 See Note(s) D	N/A	1104205 See Note(s) D	N/A	N/A
7	Potentiometer, Speed (Speed Pot) Before 10/1/02	1040225 See Note(s) B	1040225 See Note(s) C	N/A	1040225 See Note(s) C	N/A	N/A

## MKIV Joysticks

### RII, RX, A, A+, TCHJOY

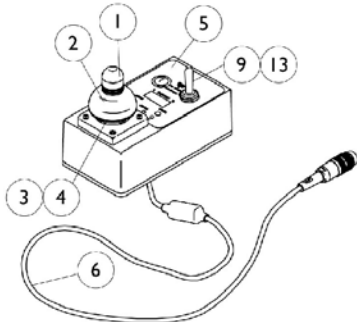
Item Number	Description	RII	RX	A Before 9/1/96	A After 8/31/96	A+	TCHJOY
7	Potentiometer, Speed (Speed Pot) After 9/30/02	N/A	1115518 See Note(s) D	N/A	1115518 See Note(s) D	N/A	N/A
8	Knob, Potentiometer	1025516	1025516	N/A	1025516	N/A	1025516
9	Switch, On/Off Momentary Before 10/1/02	N/A	N/A	1040185 See Note(s) B	1040185 See Note(s) C	1040185 See Note(s) B	N/A
9	Switch, On/Off Momentary After 9/20/02	N/A	N/A	N/A	1115523 See Note(s) D	N/A	N/A
10	Switch, Off/ 1-2 Before 10/1/02	N/A	1038627 See Note(s) C	N/A	N/A	N/A	N/A
10	Switch, Off/ 1-2 After 9/20/02	N/A	1115521 See Note(s) D	N/A	N/A	N/A	N/A
11	Switch, Program	N/A	N/A	N/A	N/A	1040186 See Note(s) B	N/A
12	Switch, Toggle SPDT	1010042 See Note(s) B	N/A	N/A	N/A	N/A	N/A

NOTE: A - Cable assembly and joystick overlay decal for RII joystick before 10/01/02 and after 9/30/02 are not available.  
 B - Item requires soldering.  
 C - Before 10/01/02 item requires soldering.  
 D - After 9/30/02 item has a non-solder connector.  
 E - The Dynamic inductive shaft will have a hole drilled 1/4" down from the top. Flightlink doesn't have this feature.

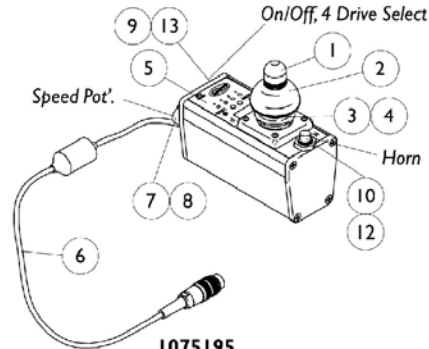
# MKIV Joysticks

## PS, PSF and PSR

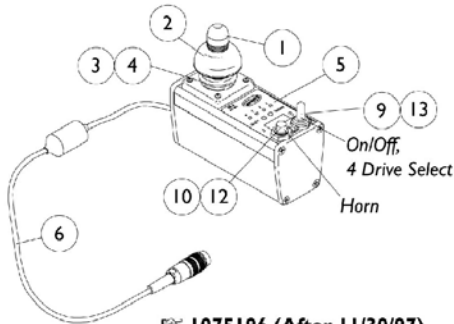
**NOTE: PSR STANDARD** joystick configuration below show the on/off switch on the left side for part # 1075196. When the on/off switch is required on the right side, refer to part number 8881075196 and order as a configured part.



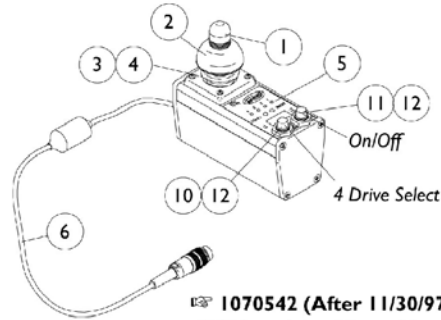
**1058468 NLA**  
**PS Joystick**  
**(Before 12/1/97)**



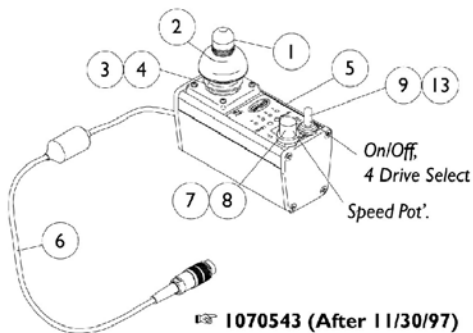
**1075195**  
**PSF Joystick**  
**(After 11/30/97)**



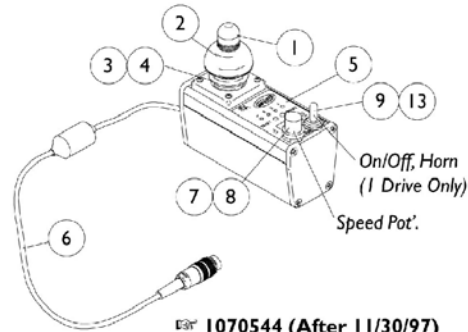
**1075196 (After 11/30/97)**  
**PSR Joystick**  
**ON CHAIR: STANDARD**



**1070542 (After 11/30/97)**  
**PSR Joystick without Horn**  
**ON CHAIR: PBOD/OL**



**1070543 (After 11/30/97)**  
**PSR Joystick without Horn**  
**ON CHAIR: RHSS/OL**



**1070544 (After 11/30/97)**  
**PSR Joystick**  
**ON CHAIR: TOHSS/OL**

**STANDARD:** This PSR joystick includes a toggle on/off combined with a drive select and a push button horn. No speed selector.

**PBOD:** This PSR joystick includes push button on/off with a push button drive select. This gives you access to the four drives, but no horn and no speed select.

**RHSS:** This PSR joystick replaces the horn with a speed selector. This allows you to deviate from having a horn to having a speed select dial, plus the drive selector to the four drives.

**TOHSS:** This PSR joystick includes a toggle on/off with horn and a speed select dial. You have access to only one drive.

**OL:** On/Off positioned on left side of the PSR joystick.

**OR:** On/Off positioned on right side of the PSR joystick.

# MKIV Joysticks

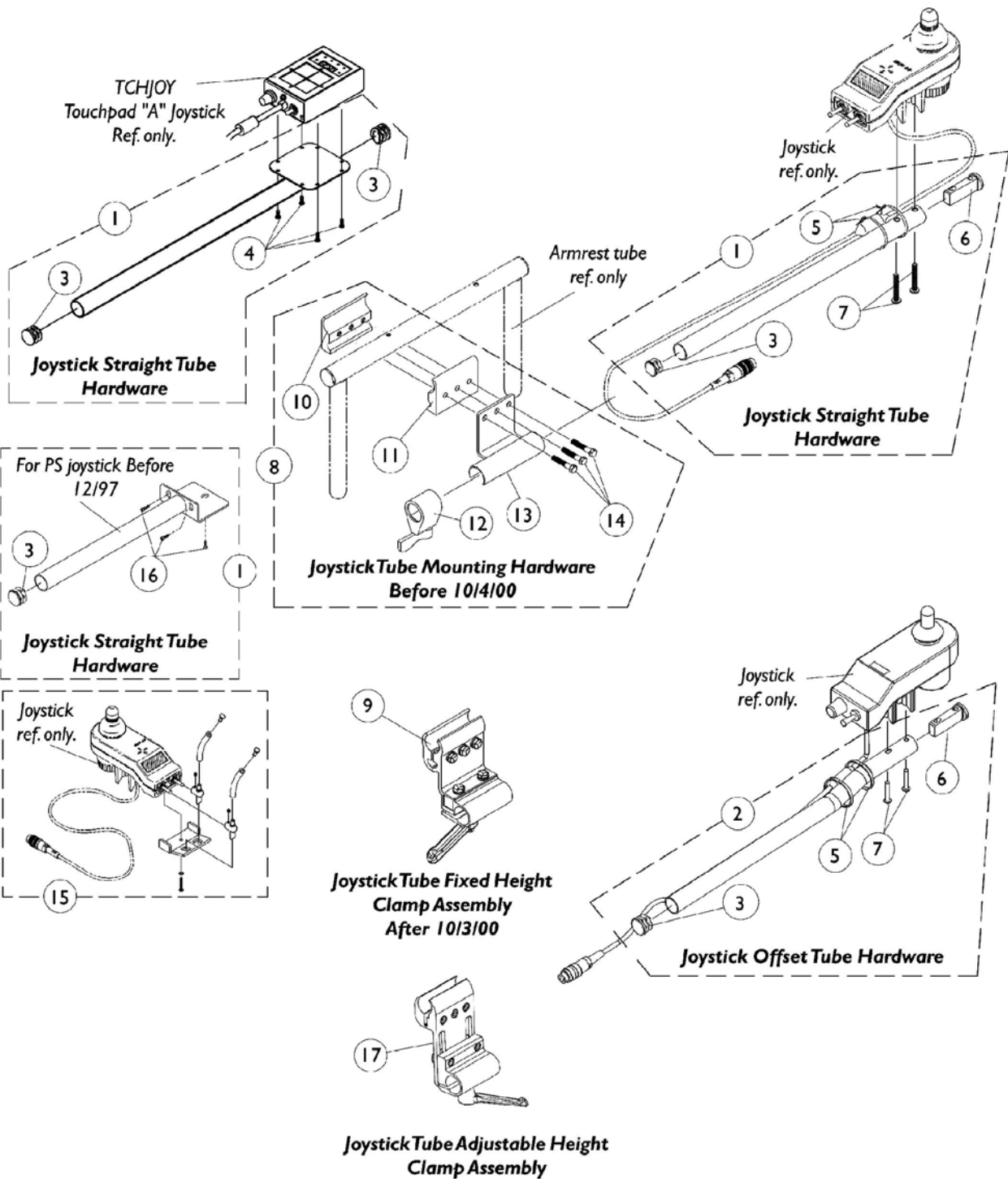
## PS, PSF and PSR

**NOTE: PSR STANDARD joystick configuration below show the on/off switch on the left side for part # 1075196. When the on/off switch is required on the right side, refer to part number 8881075196 and order as a configured part.**

Item Number	Description	PS Before 12/1/97	PSF After 11/30/97	PSR After 11/30/97
See Pictorial	Joystick Assembly	N/A	N/A	1075196
See Pictorial	Joystick Assembly	1058468-NLA	8881075195	8881075196
See Pictorial	Joystick Assembly	N/A	N/A	1070542
See Pictorial	Joystick Assembly	N/A	N/A	1070543
See Pictorial	Joystick Assembly	N/A	N/A	1070544
1	Knob, Joystick	1040217	1040217	1040217
2	Skirt, Joystick	1040218	1040218	1040218
3	Inductive, Joystick See Note(s) A	1036764	1036764	1036764
4	Boot, Joystick	50000X364	50000X364	50000X364
5	Overlay, Joystick Decal	1058460-NLA	1075034	1079925
6	Cable Assembly	1036750	1036750	1036750
7	Potentiometer Speed	N/A	1040225	1040225
8	Knob Potentiometer	N/A	1025516	1025516
9	Switch, On/Off Momentary	1040185	1040185	1040185
10	Switch, Push Button SPST Momentary	N/A	1010047	1010047
11	Switch, Push Button SPST	N/A	N/A	1010048
12	Boot, Switch	N/A	1010049	1010049
13	Boot, Switch	1058464	1058464	1058464

NOTE: A - The Dynamic inductive shaft will have a hole drilled 1/4" down from the top. Flightlink doesn't have this feature.

# MKIV Joystick Mounting Hardware and Joystick Accessories

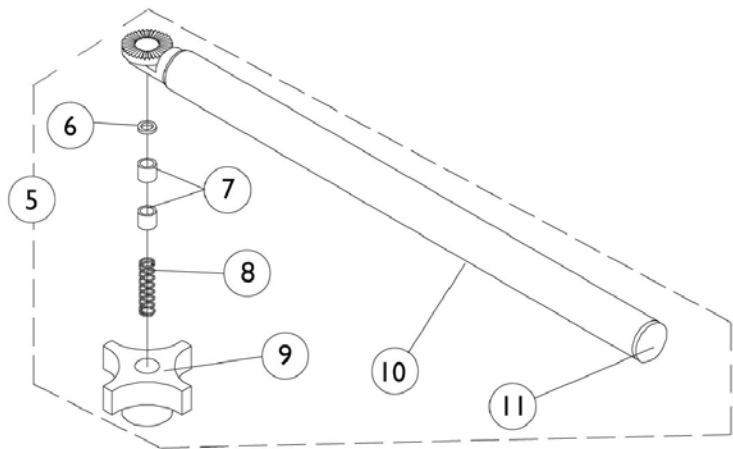
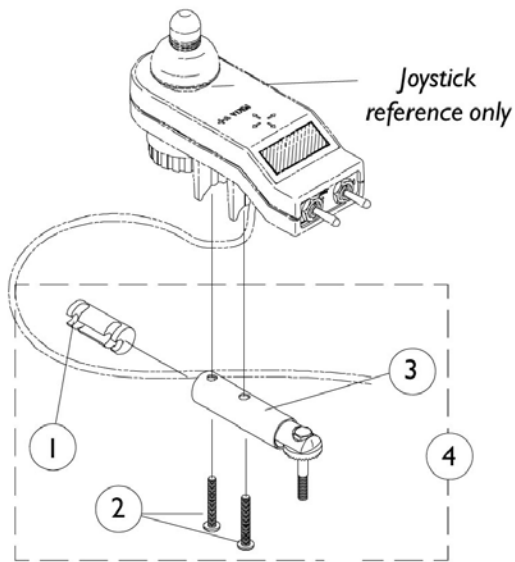


## MKIV Joystick Mounting Hardware and Joystick Accessories

Item Number	Note	Part Number	Description	Quantity Per	
				Package	Assembly
1	J	1052719	Kit, Straight Joystick Tube with Hardware	1	1
1	C	1092604	Kit, Straight Joystick Tube with Hardware	1	1
1	D	1043568	Kit, Straight Joystick Tube with Hardware	1	1
2	A,A1,E	1093069	Kit, 1/2" Offset Joystick Tube with Hardware	1	1
3	F	1027095	Plug Button, Black (7/8")	1	1
4		1052041	Screw, Phillips Pan Head (#4-40 x 3/8")	1	1
5		1095502	Package, Cable Ties (11-1/2" Long)	10	2
6		1093063	Spacer, Joystick Tube	1	1
7		1025714	Screw, Phillips Pan Head (#10-32 x 1-1/8")	1	1
8	G	1049591	Hardware, Joystick Tube Mounting	1	1
9	A,A1,H	1093071	Clamp, Fixed Height Joystick Tube	1	1
10		1027267	Half Clamp, Threaded Holes	1	1
11		1027266	Half Clamp, Non-Threaded Holes	1	1
12		1027274	Lock, Adjustment (Black)	1	1
13		1049582	Bracket, Joystick Mounting	1	1
14		16690X004	Screw, Hex Head (1/4-20 x 1-1/8")	1	1
15		1055736	Toggle Switch Extension Kit	1	1
16		1016401	Screw, Phillips Round Head (#10-32 x 3/8")	1	3
17		1139422	Clamp, Height Adjustable Joystick Tube (ARM250)	1	1
	I	1006270	Joystick Extension - "T" Style (1560) (4" Wide x 5-1/2" Long)	1	1
	I	1006271	Joystick Extension - Straight Style (1561) (1/2" Wide x 5" Long)	1	1

NOTE: A - The joystick straight tube changed to an offset joystick tube on 10/4/00. The joystick tube mounting hardware also changed to a new fixed height clamp assembly to allow an individual to use an  
A1 - adjustment lever to securely hold the joystick tube in place. The fixed height joystick tube clamp can be used as a direct replacement in the field for the joystick tube mounting hardware part number 1049591 manufactured for chairs before 10/4/00.  
C - Includes Items 3, 4, and mounts to a TCHJOY Touchpad "A" joystick  
D - Includes Items 3, 5, 6, 7, and mounts to MKIV RII, RX, A, A+, PSF/PSR Joysticks Before 10/4/00  
E - Includes Items 3, 5, 6, 7, and mounts to MKIV RII, RX, A, A+, PSF/PSR Joysticks After 10/3/00  
F - Touchpad "A" Joystick-Takes 2  
G - Includes Items 10-14 and used for PS, TCHJOY, and (RII, RX, A, A+, PSF/PSR joysticks Before 10/4/00)  
H - Used for RII, RX, A, A+, PSF/PSR joysticks After 10/3/00  
I - Not Shown  
J - Includes Items 3, 16, and mounts to a PS joystick

# MKIV Swivel Joystick Hardware

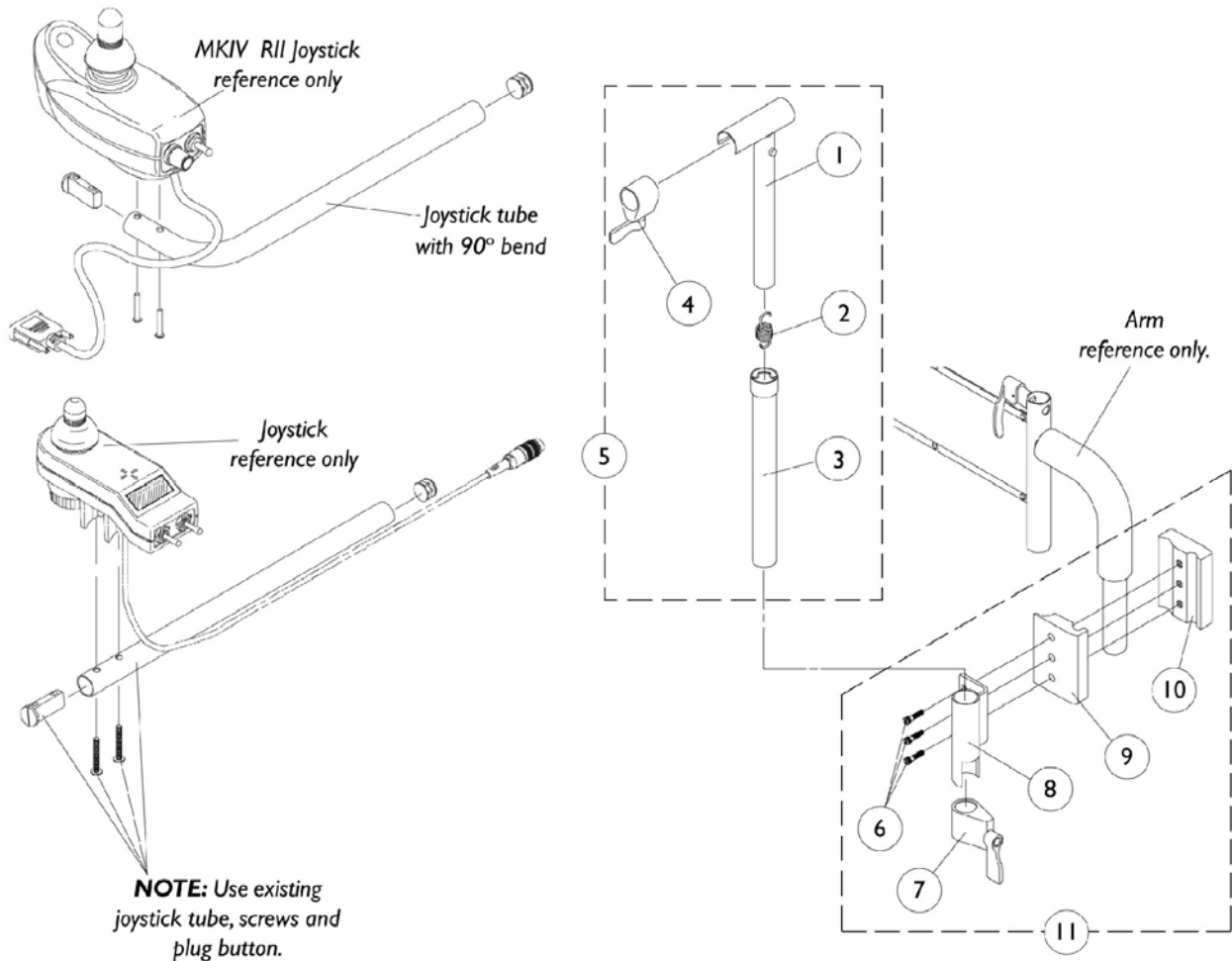




## MKIV Swivel Joystick Hardware

Item Number	Note	Part Number	Description	Quantity Per	
				Package	Assembly
1		1093063	Spacer, Joystick Tube	1	1
2		1025714	Screw, Phillips Pan Head (#10-32 x 1-1/8")	1	1
3		1049962	Swivel Joystick Bracket, MKIV	1	1
4		1049963	Swivel Joystick Bracket with Hardware	1	1
5		1035986	Swivel Joystick Tube with Hardware	1	1
6		1020551	Washer, Flat (1/4 x 3/8 x 1/16")	1	1
7		1005844	Bushing	1	2
8		1002511	Spring, Hitch Bracket	1	1
9		1023670	Knob, Clamping	1	1
10		1035990	Tube, Swivel Joystick	1	1
11		1027095	Plug Button, Black (7/8")	1	1

# MKVVI Mid-Line Swing Bracket Assembly

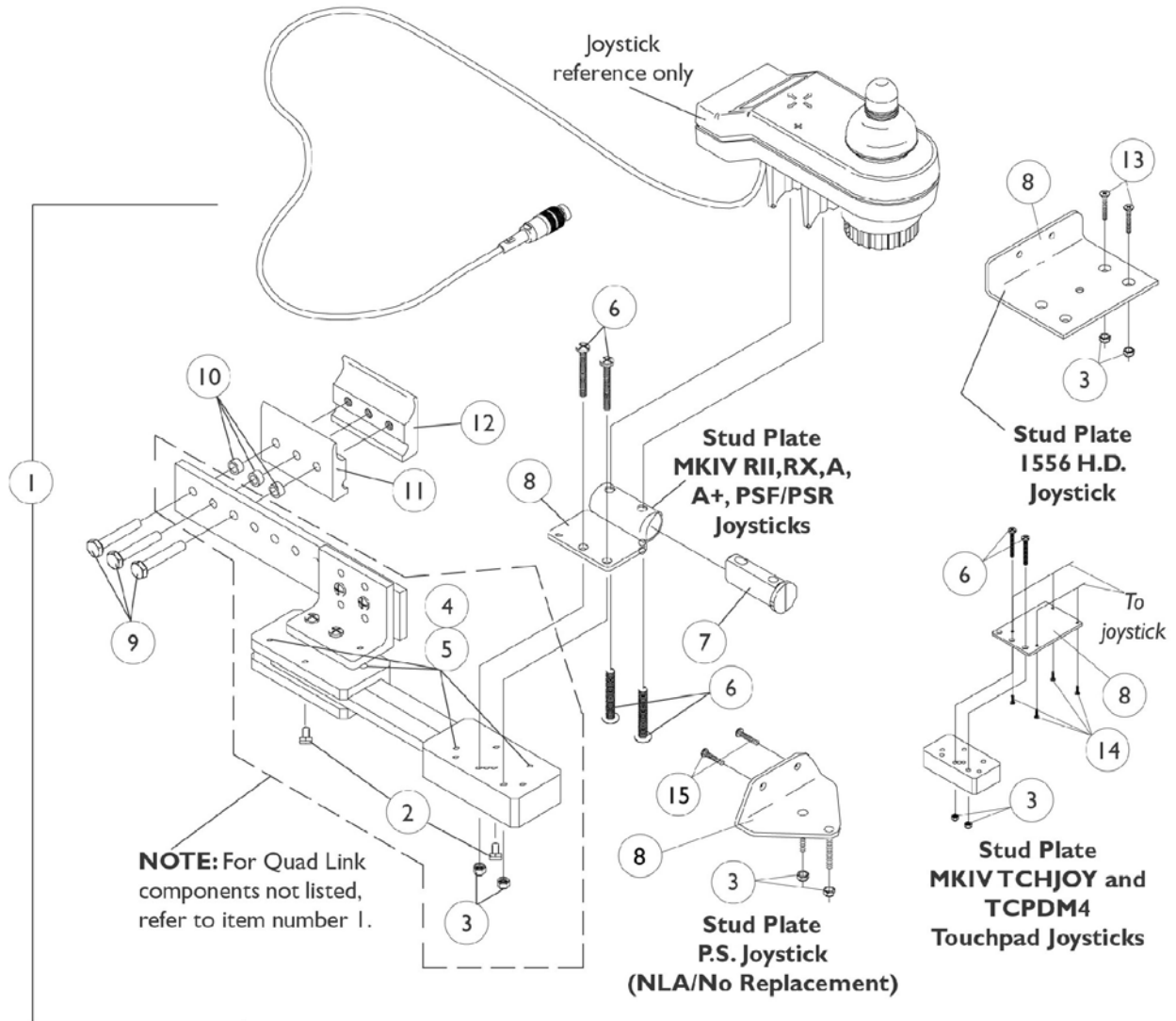


## MKVI Mid-Line Swing Bracket Assembly

Item Number	Note	Part Number	Description	Quantity Per	
				Package	Assembly
1		1035528	Adjustment Tube, (Inside) Mid-Line	1	1
2		1016778	Spring, Extension	1	1
3		1035860	Adjustment Tube, (Outside) Mid-Line	1	1
4		1027274	Lock, Adjustment (Black)	1	1
5	B	1035852	Swing Bracket Assembly, Mid-Line	1	1
6		16690X004	Screw, Hex Head (1/4-20 x 1-1/8")	1	1
7		1027274	Lock, Adjustment (Black)	1	1
8		1049582	Bracket, Joystick Mounting	1	1
9		1027266	Half Clamp, Non-Threaded Holes	1	1
10		1027267	Half Clamp, Threaded Holes	1	1
11	A	1049591	Hardware, Joystick Tube Mounting	1	1
NOTE: A - Includes Items 6-10 B - Includes Items 1-4					

# Quad Link Assembly

## Before 4/07/06



## Quad Link Assembly Before 4/07/06

Item Number	Note	Part Number	Description	Quantity Per		
				Package	Assembly	
1	A	1052402	Kit, Quad Link Assembly - Right	1	1	
2			Ball Plunger with Lock Washer Assembly	2	1	
3			Locknut (#10-32)	1	2	
4			Screw, Socket Head (#10-32 x 1/2")	1	4	
5			Bushing, Bronze (3/16 x 1/4 x 1/4")	1	4	
6			Screw, Phillips Pan Head (#10-32 x 1-1/8")	1	4	
7			Spacer, Joystick Tube	1	1	
8			Stud Plate, Quad Link	1	1	
9			Screw, Hex Head (1/4-20 x 1-1/2")	1	3	
10			Spacer (1/4 x 3/8 x 3/16")	1	3	
11			Half Clamp, Non-Threaded Holes	1	1	
12			Half Clamp, Threaded Holes	1	1	
1	A	1115372	Kit, Quad Link Assembly - Left	1	1	
2			Ball Plunger with Lock Washer Assembly	2	1	
3			Locknut (#10-32)	1	2	
4			Screw, Socket Head (#10-32 x 1/2")	1	4	
5			Bushing, Bronze (3/16 x 1/4 x 1/4")	1	4	
6			Screw, Phillips Pan Head (#10-32 x 1-1/8")	1	4	
7			Spacer, Joystick Tube	1	1	
8			Stud Plate, Quad Link	1	1	
9			Screw, Hex Head (1/4-20 x 1-1/2")	1	3	
10			Spacer (1/4 x 3/8 x 3/16")	1	3	
11			Half Clamp, Non-Threaded Holes	1	1	
12			Half Clamp, Threaded Holes	1	1	
1	B,E	1034703-NLA	Kit, Quad Link Assembly - Right	1	1	
2			Ball Plunger with Lock Washer Assembly	2	1	
3			Locknut (#10-32)	1	2	
4			Screw, Socket Head (#10-32 x 1/2")	1	4	
5			Bushing, Bronze (3/16 x 1/4 x 1/4")	1	4	
8			Stud Plate, Quad Link For 1556 Heavy Duty Joystick	1	1	
9			Screw, Hex Head (1/4-20 x 1-1/2")	1	3	
10			Spacer (1/4 x 3/8 x 3/16")	1	3	
11			Half Clamp, Non-Threaded Holes	1	1	
12			Half Clamp, Threaded Holes	1	1	
13			Screw, Phillips Flat Head Countersunk (#10-32 x 1-1/8")	1	2	
1	B		1114866	Kit, Quad Link Assembly - Left	1	1
2				Ball Plunger with Lock Washer Assembly	2	1
3		Locknut (#10-32)		1	2	
4		Screw, Socket Head (#10-32 x 1/2")		1	4	
5		Bushing, Bronze (3/16 x 1/4 x 1/4")		1	4	
8		Stud Plate, Quad Link For 1556 Heavy Duty Joystick		1	1	

## Quad Link Assembly Before 4/07/06

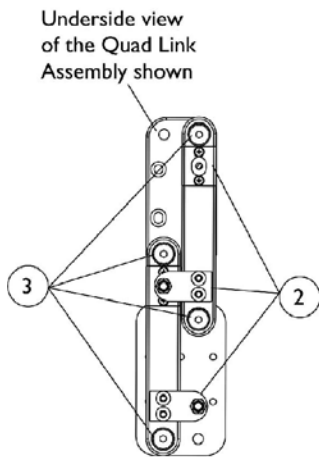
Item Number	Note	Part Number	Description	Quantity Per	
				Package	Assembly
9			Screw, Hex Head (1/4-20 x 1-1/2")	1	3
10			Spacer (1/4 x 3/8 x 3/16")	1	3
11			Half Clamp, Non-Threaded Holes	1	1
12			Half Clamp, Threaded Holes	1	1
13			Screw, Phillips Flat Head Countersunk (#10-32 x 1-1/8")	1	2
1	C	1102027	Kit, Quad Link Assembly - Right For TCHJOY/TCPDM4 Touchpad	1	1
2			Ball Plunger with Lock Washer Assembly	2	1
3			Locknut (#10-32)	1	2
4			Screw, Socket Head (#10-32 x 1/2")	1	4
5			Bushing, Bronze (3/16 x 1/4 x 1/4")	1	4
6			Screw, Phillips Pan Head (#10-32 x 1-1/8")	1	2
8			Stud Plate, Quad Link MKIV TCHJOY/TCPDM4	1	1
9			Screw, Hex Head (1/4-20 x 1-1/2")	1	3
10			Spacer (1/4 x 3/8 x 3/16")	1	3
11			Half Clamp, Non-Threaded Holes	1	1
12			Half Clamp, Threaded Holes	1	1
14			Screw, Phillips Flat Head Countersunk (#4-40 x 3/8")	1	4
1	D	1106191-NLA	Kit, Quad Link Assembly - Right For PS joystick	1	1
2			Ball Plunger with Lock Washer Assembly	2	1
3			Locknut (#10-32)	1	2
4			Screw, Socket Head (#10-32 x 1/2")	1	4
5			Bushing, Bronze (3/16 x 1/4 x 1/4")	1	4
8			Stud Plate, Quad Link P.S. Joystick	1	1
9			Screw, Hex Head (1/4-20 x 1-1/2")	1	3
10			Spacer (1/4 x 3/8 x 3/16")	1	3
11			Half Clamp, Non-Threaded Holes	1	1
12			Half Clamp, Threaded Holes	1	1
15			Screw, Phillips Pan Head (#10-32 x 3/4")	1	2
2		1114863	Ball Plunger with Lock Washer Assembly	2	1
<p>NOTE: A - Includes the Quad Link, items 2-12 and used with MKIV RII, RX, A, A+, PSF/PSR joysticks            B - Includes the Quad Link, items 2-5, 8-13 and used with a 1556 Heavy Duty joystick            C - Includes the Quad Link, items 2-6, 8-12, 14 and used with MKIV TCHJOY/TCPDM4 joysticks. For left side mounted Quad Link, order as a special.            D - Includes the Quad Link, items 2-5, 8-12, 15 and used with a PS joystick            E - Quad Link Assembly is no longer available. Please see Quad Link Assembly (After 4/06/06) category and use new Quad Link design as a replacement.</p>					

# Quad Link Assembly (QL)

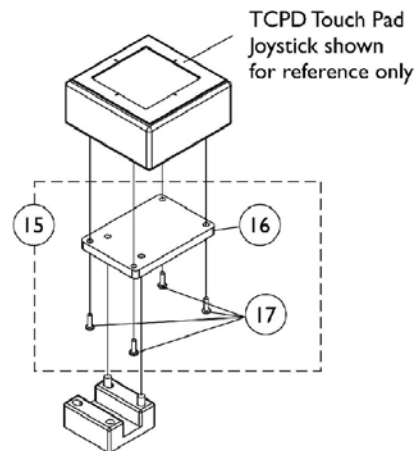
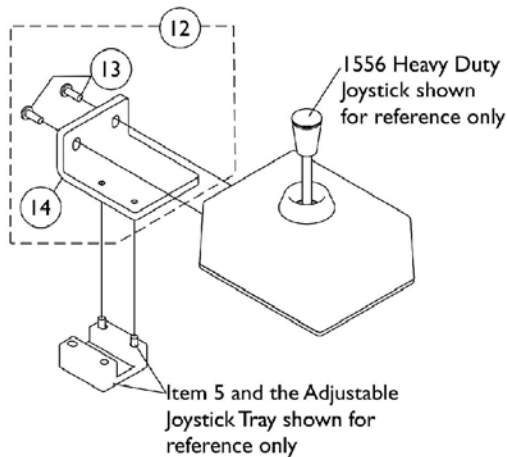
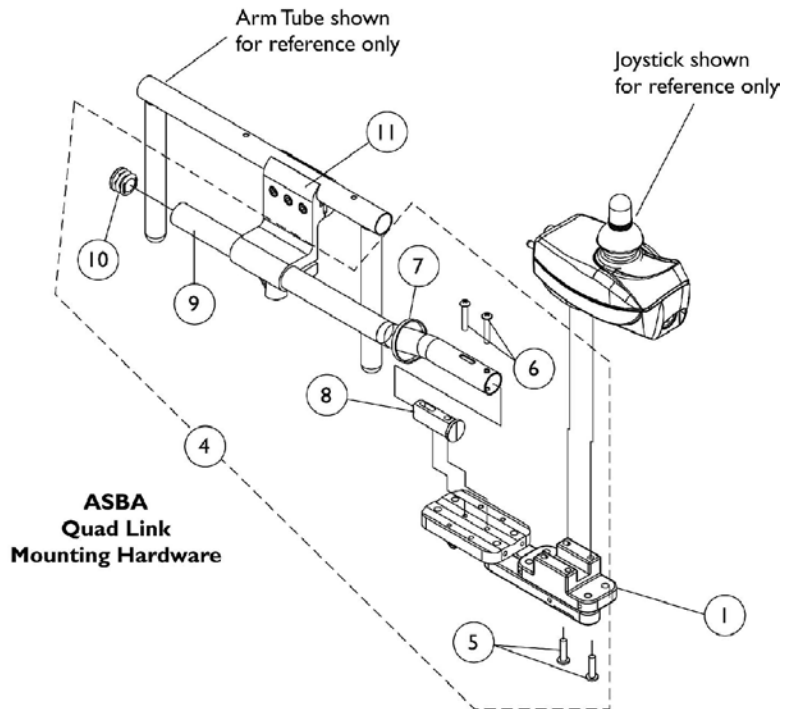
After 4/06/06

When converting an old style Quad Link that attaches to a mounting plate or (a Flex or Touch Pad Joystick Tube) is currently on the chair then order the following for ASBA Seat; Quad Link Mtg. Hdw. (item 4), Quad Link (item 1) & Ht. Adj. Joystick Tube Clamp (item 11)

**NOTE:** Substitute (item 4) with 2 ea. of the PPH Screws (item 5) when an offset joystick tube is currently on the chair. Additional Joystick Mtg. Hdw. must be ordered when a 1556 Heavy Duty or TCPD Touch Pad is used.



Screw Fastener and Quad Link Latch Hardware



# Quad Link Assembly (QL)

After 4/06/06

When converting an old style Quad Link that attaches to a mounting plate or (a Flex or Touch Pad Joystick Tube) is currently on the chair then order the following for ASBA Seat; Quad Link Mtg. Hdw. (item 4), Quad Link (item 1) & Ht. Adj. Joystick Tube Clamp (item 11)

**NOTE:** Substitute (item 4) with 2 ea. of the PPH Screws (item 5) when an offset joystick tube is currently on the chair. Additional Joystick Mtg. Hdw. must be ordered when a 1556 Heavy Duty or TCPD Touch Pad is used.



# Quad Link Assembly (QL)

After 4/06/06

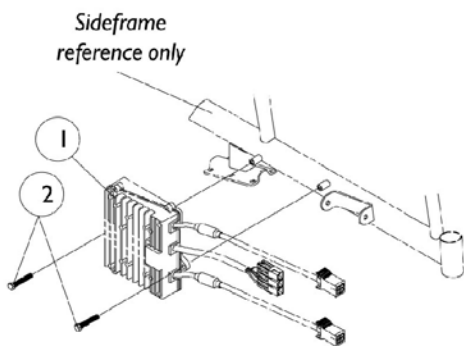
When converting an old style Quad Link that attaches to a mounting plate or (a Flex or Touch Pad Joystick Tube) is currently on the chair then order the following for ASBA Seat; Quad Link Mtg. Hdwr. (item 4), Quad Link (item 1) & Ht. Adj. Joystick Tube Clamp (item 11)

**NOTE: Substitute (item 4) with 2 ea. of the PPH Screws (item 5) when an offset joystick tube is currently on the chair. Additional Joystick Mtg. Hdwr. must be ordered when a 1556 Heavy Duty or TCPD Touch Pad is used.**

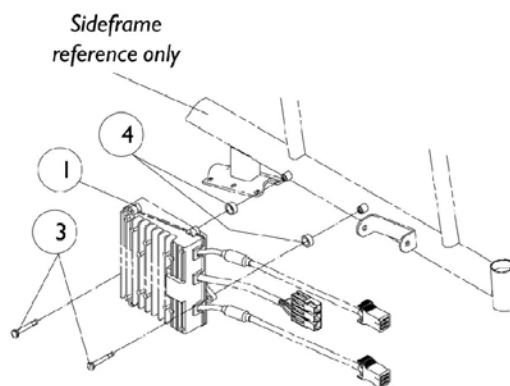
Item Number	Note	Part Number	Description	Quantity Per	
				Package	Assembly
1		1140898	Quad Link (QL) and Instruction Sheet - Right	1	1
1		1140899	Quad Link (QL) and Instruction Sheet - Left	1	1
2	A	1140425	Kit, Quad Link Latch Hardware	1	1
3	B	1140424	Kit, Quad Link Screw Fastener Hardware	1	1
4	C,C1	1142937	Kit, ASBA/ADJASBA Quad Link Mounting Hardware	1	1
5			Screw, Phillips Pan Head w/ Patch (10-32 x 3/4")	1	2
6			Screw, Phillips Pan Head (#10-32 x 1-1/8")	1	2
7			Cable Tie (11-1/2" Long)	1	1
8			Spacer, Joystick Tube	1	1
9			Tube, Joystick 2" Offset	1	1
10			Plug Button, Black (7/8")	1	1
5		1105414	Screw, Phillips Pan Head w/ Patch (10-32 x 3/4")	1	2
11		1093071	Clamp, Fixed Height Joystick Tube	1	1
12	D	1139925-NLA	Kit, 1556 Heavy Duty Joystick To Quad Link Mounting Hardware	1	1
13			Screw, Phillips Pan Head (#10-32 x 1/2")	1	2
14			Plate, 1556 HD Joystick Quad Link	1	1
15	E	1139683	Kit, TCPD Touch Pad To Quad Link Mounting Hardware	1	1
16			Plate, TCPD Touch Pad Quad Link	1	1
17			Screw, Phillips Pan Head (#4-40 x 3/8")	1	4
	F	1134844	Instruction Sheet, Quad Link	1	1

NOTE: A - Latch Kit includes 4 ea. Button Head Cap Screws (10-32 x 3/8"), 2 ea. Latch Spring Assembly, 4 ea. Phillips Flat C'Sunk Head Screws, 2 ea. Spring Catch Plates, 2 ea. Socket Head Set Screws (10-32 x 3/8")  
 B - Screw Fastener Kit includes 4 ea. Socket Head Shoulder Screws (3/8 x 3/8"), 2 ea. Socket Head Cap Screws (1/4-20 x 3/8"), 2 ea. Socket Head Set Screws (1/4-20 x 1/2"), 4 ea. Socket Head Set Screws (10-32 x 1/8")  
 C - Includes items 5-10. The Quad Link Mounting Hardware accommodates MKIV RII, and PSF/PSR joysticks.  
 C1 - When ordering the Quad Link for the first time, Additional hardware is required for 1556 Heavy Duty and TCPD Touch Pad joysticks. See pictorial for reference.  
 D - Includes items 13 and 14  
 E - Includes items 16 and 17  
 F - Not Shown

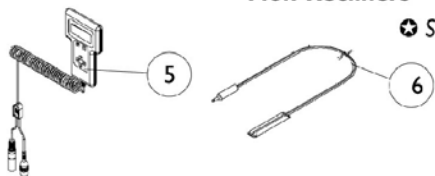
# MKIV Controller, Programmer and Attaching Hardware



**RII (⊕Standard) Recliner  
Before 5/15/99,  
RII (⊕Basic) Recliner and  
Non-Recliners**



**RII (⊕Standard) Recliner  
After 5/14/99**



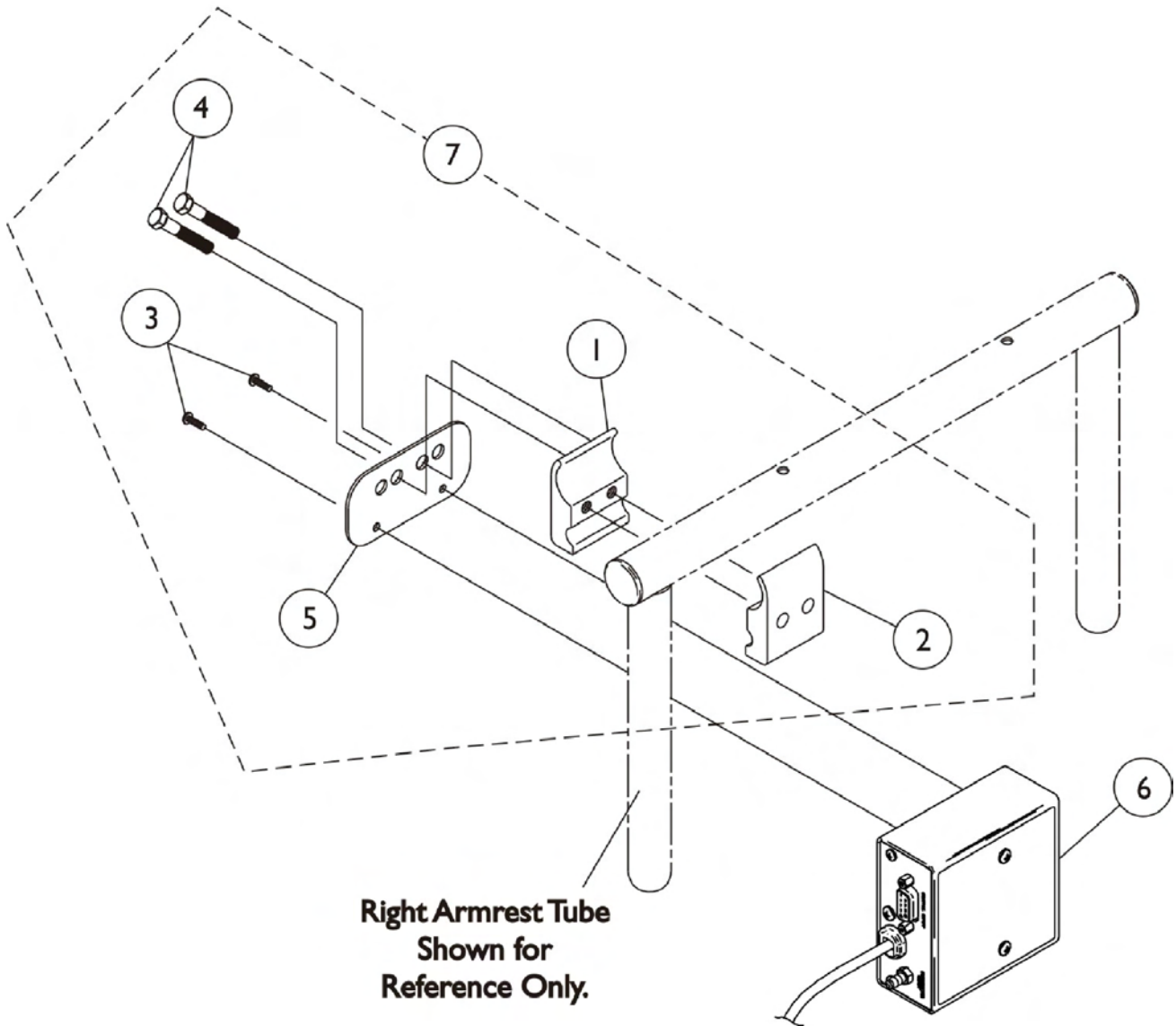
⊕ Standard and basic refers to chair model

# MKIV Controller, Programmer and Attaching Hardware

Item Number	Note	Part Number	Description	Quantity Per	
				Package	Assembly
1		1105707	Controller, MKIV Quad Pulse	1	1
1	A,G	1095269	Controller, MKIV RII Retro	1	1
2		1088897	Screw, Hex Head (1/4-20 x 1-1/4")	1	2
3		1088898	Screw, Hex Head Cap w/ Patch (1/4-20 x 1-3/4")	1	2
4		1026102	Spacer (5/16 x 15/32 x 1/4")	1	2
5	B	1109091	Programmer, Remote	1	1
6		1020818	Switch, Red Flex Ribbon (Tape) Reset	1	1
6	H	1123276	Kit, Switch, Black Egg Reset, with Hook/Loop Adhesive Back Fastener & Attaching Screws (EGSBLK)	1	1
	C	1064404-NLA	Virtual Service Modem Kit	1	1
	C,D	1095204	Cable, Virtual Service Charger/Modem	1	1
	C	1091631-NLA	Virtual Service Software Kit	1	1
	C,E	1091980-NLA	Disk, 3.5 H.D. Floppy with V.S. Software	1	1
	C,E	1091637-NLA	Adaptor, Null Modem	1	1
	C,E	1091636-NLA	Service Manual - V.S. Software Kit	1	1
	C,E	1095204	Cable, Virtual Service Charger/Modem	1	1
	C	1046117-NLA	Printer and Interface	1	1
	C,F	1026572-NLA	Paper, Printer	1	1
	C,F	1027280-NLA	Harness, Printer Wiring	1	1

NOTE: A - RII retro controller after 4/30/00 and RII joystick #1092610 are direct replacements for joystick/controller #1080723.  
 B - Remote Programmer #1109091 with the dual connectors (3-Pin and 5-Pin) is the only programmer functionable with the new RII joystick #1092610.  
 C - Not Shown  
 D - Part may be ordered individually or is included in the "Virtual Service Modem Kit."  
 E - Part may be ordered individually or is included in the "Virtual Service Software Kit."  
 F - Part may be ordered individually or is included in the "Printer and Interface."  
 G - After 4/30/00  
 H - Not Shown. After 5/23/04 the Egg Reset Switch became available as a service part and can be used as a direct replacement for the tape reset switch part # 1020818.

# MKIV Sip-N-Puff/ Digital Interface

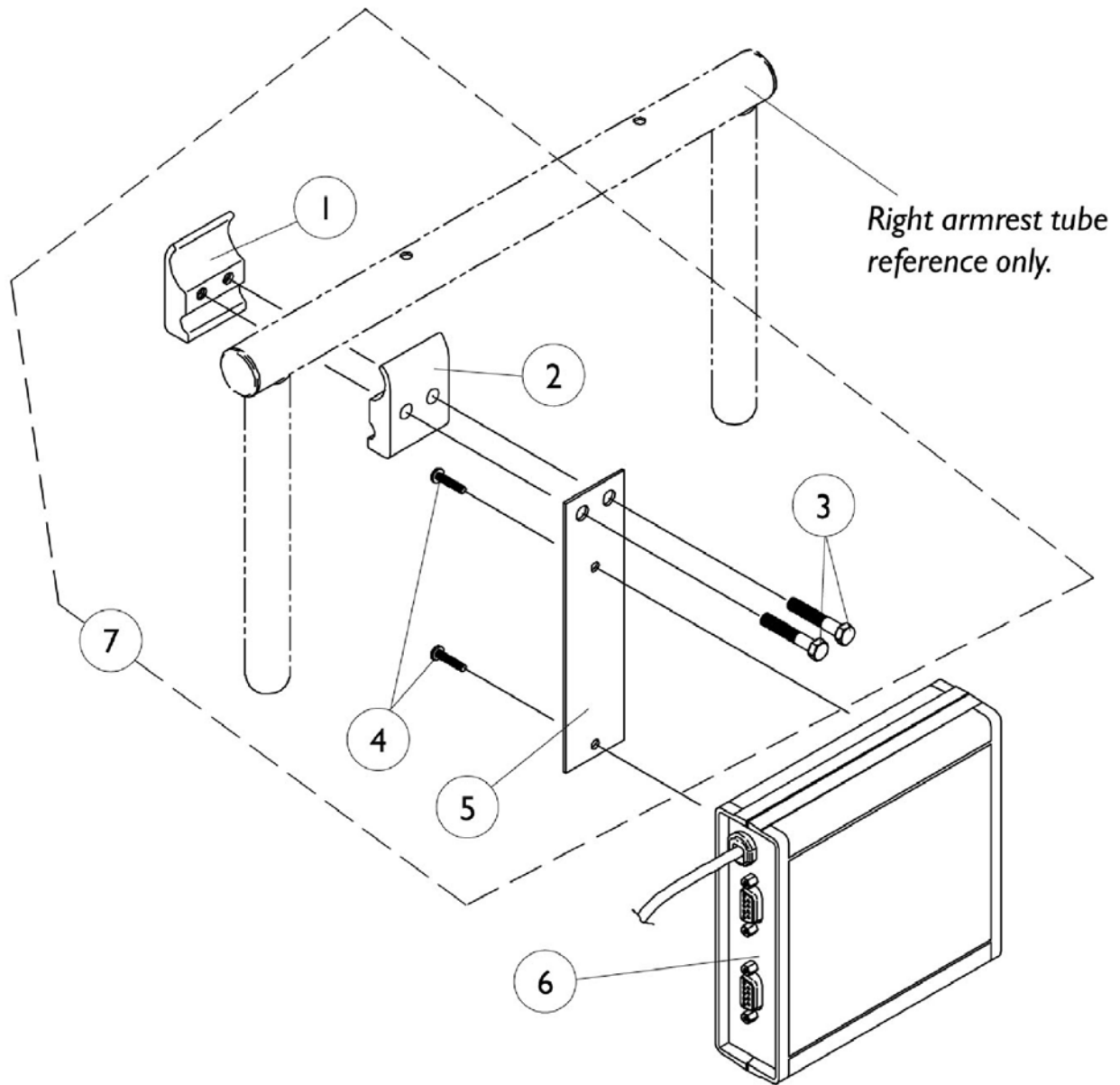


# MKIV Sip-N-Puff/ Digital Interface

SNP4M On Chair  
1038635 Off Chair

Item Number	Note	Part Number	Description	Quantity Per	
				Package	Assembly
6		1038635	Sip-N-Puff with Digital Interface	1	1
7	A,B	1049593	Kit, SNP/DI, MK5 SAC, 4WSB, S4WSB, GTAM, AUX12M6, AUX34M6 Mtg. Hdwr.	1	1
1			Half Clamp, Threaded Holes	1	1
2			Half Clamp, Non-Threaded Holes	1	1
3			Screw, Hex Head (1/4-20 x 1-1/8")	1	2
4			Screw, Phillips Pan Head (#4-40 x 3/8")	1	2
5			Plate, Mounting	1	1
NOTE: A - Includes items 1-5 B - As of 5/22/07 the Mounting Plate holes and the orientation of the Hardware was revised to attach the electronics closer to the chair. The Mounting Hardware Kit is backward compatible.					

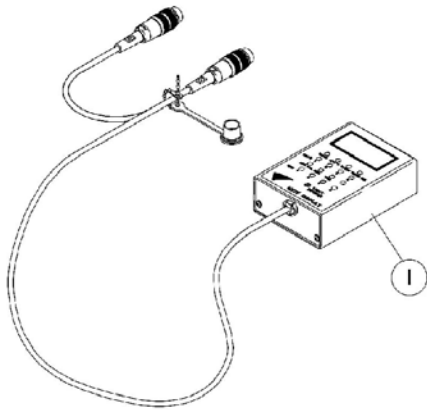
# COM12 and COM34



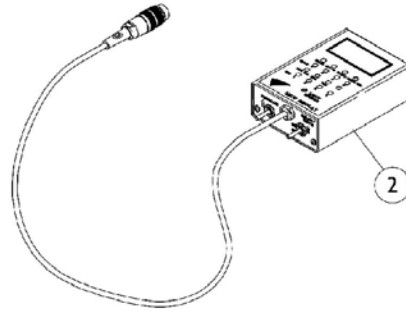
## COM12 and COM34

Item Number	Note	Part Number	Description	Quantity Per	
				Package	Assembly
6		1038639	Communication Module, COM12/AUX12	1	1
6		1086241	Communication Module, COM34/AUX34	1	1
7	A,B	1049592	Kit, COM12/AUX12 and COM34/AUX34 Mounting Hardware	1	1
1			Half Clamp, Threaded Holes	1	1
2			Half Clamp, Non-Threaded Holes	1	1
3			Screw, Hex Head (1/4-20 x 1-1/8")	1	2
4			Fastener, Dual Lock Hook and Loop Adhesive (2" W x 12" L)	1	1
5			Mounting Plate, COM12/AUX12 and COM34/AUX34	1	1
NOTE: A - Item 4 Screw #1027264 was replaced with 4" long adhesive loop fastener 7/1/97. B - Includes Items 1-5					

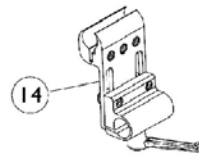
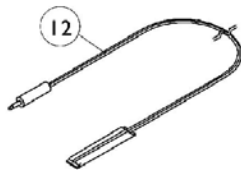
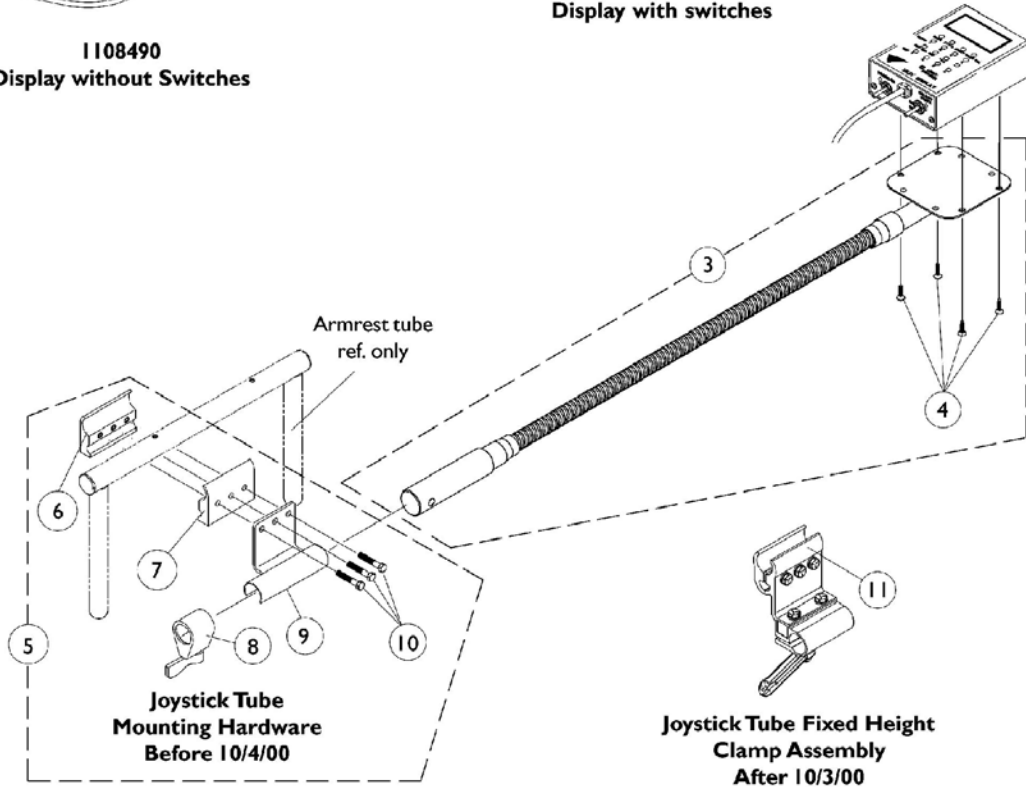
# MKIV Displays



**I108490**  
Display without Switches



**I108489**  
Display with switches



**Joystick Tube Adjustable Height  
Clamp Assembly**



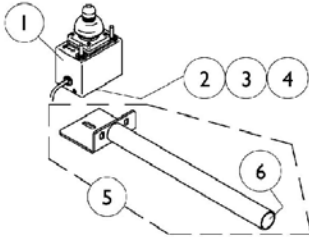
## MKIV Displays

Item Number	Note	Part Number	Description	Quantity Per	
				Package	Assembly
1		1108490	Display without Switches	1	1
2		1108489	Display with Switches	1	1
3	A	1049594	Flex Tube with Screws	1	1
4		7930339	Screw, Phillips Pan Head (#4-40 x 3/8")	1	4
5	B	1049591	Hardware, Joystick Tube Mounting	1	1
6		1027267	Half Clamp, Threaded Holes	1	1
7		1027266	Half Clamp, Non-Threaded Holes	1	1
8		1027274	Lock, Adjustment (Black)	1	1
9		1049582	Bracket, Joystick Mounting	1	1
10		16690X004	Screw, Hex Head (1/4-20 x 1-1/8")	1	1
11	C	1093071	Clamp, Fixed Height Joystick Tube	1	1
12	D	1020818	Switch, Red Flex Ribbon (Tape) Reset	1	1
13	E	1123276	Kit, Switch, Black Egg Reset, with Hook/Loop Adhesive Back Fastener & Attaching Screws (EGSBLK)	1	1
14		1139422	Clamp, Height Adjustable Joystick Tube (ARM250)	1	1

NOTE: A - Includes the Flex Tube and item 4  
 B - Before 10/4/00 and includes items 6-10  
 C - After 10/3/00 and can be used as a direct replacement for the Joystick Tube Mounting Hardware part number 1049591 in the field  
 D - Before 5/24/04  
 E - After 5/23/04 the Egg Reset Switch replaced the Red Flex Ribbon (Tape) Reset Switch

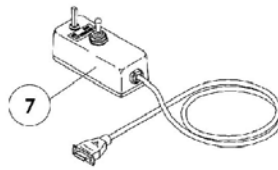
# MKIV Joystick Options

## REMOTE JOYSTICK



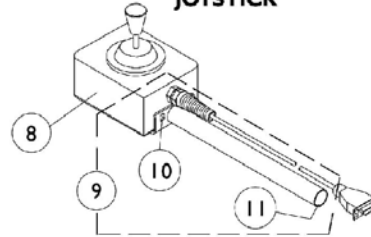
ON CHAIR: 1555M4  
 OFF CHAIR: Ⓢ1038634  
 Used with display w/o switches  
 1108490

## ATTENDANT CONTROL JOYSTICK



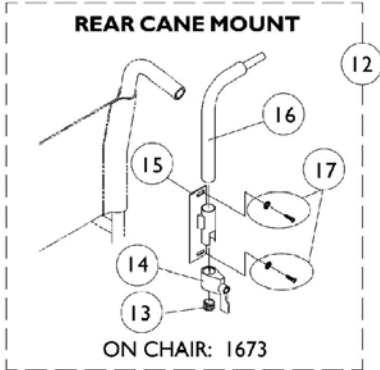
ON CHAIR: 1552M4  
 OFF CHAIR: Ⓢ1025590

## HEAVY DUTY JOYSTICK



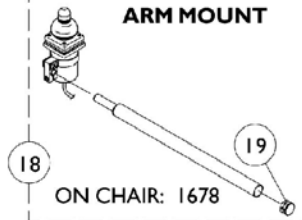
ON CHAIR: 1556M4  
 OFF CHAIR: Ⓢ1041544  
 Used with display w/ switches  
 1108489

## REAR CANE MOUNT



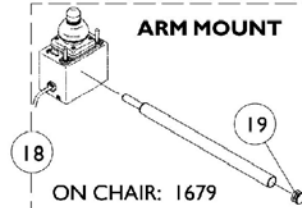
ON CHAIR: 1673

## ARM MOUNT



ON CHAIR: 1678

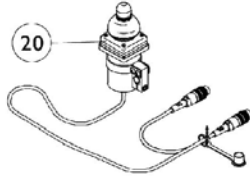
## ARM MOUNT



ON CHAIR: 1679

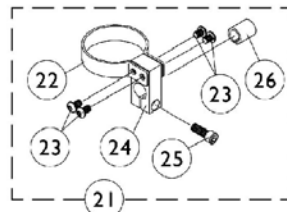
**NOTE:** Arm mounting tube shown above and additional arm mounting hardware are shipped when the On-Chair model number 1678 or 1679 is ordered.

## DUAL/COMPACT JOYSTICK W/ MTG. HARDWARE

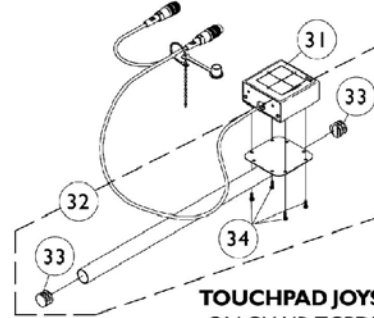


ON CHAIR: 1812M4/1558M4  
 OFF CHAIR: Ⓢ1038638

## DUAL/COMPACT JOYSTICK MOUNTING HARDWARE



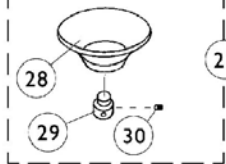
21



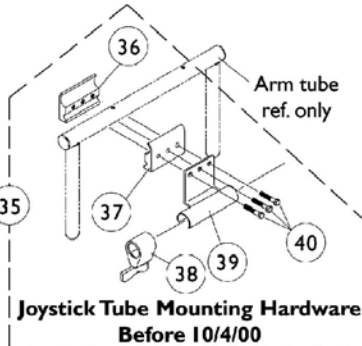
## TOUCHPAD JOYSTICK

ON CHAIR: TCPDM4  
 OFF CHAIR: Ⓢ1091353

Used with display w/ switches  
 1108489



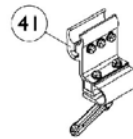
27



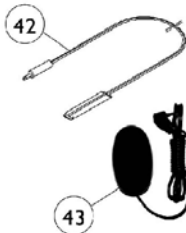
Joystick Tube Mounting Hardware  
 Before 10/4/00

Arm tube  
 ref. only

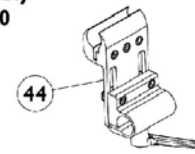
Ⓢ Reset Switch may be required.



Joystick Tube Fixed Height  
 Clamp Assembly  
 After 10/3/00



43



Joystick Tube Adjustable Height  
 Clamp Assembly

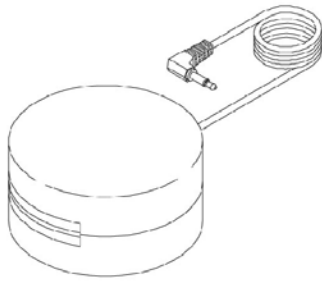
## MKIV Joystick Options

Item Number	Note	Part Number	Description	Quantity Per	
				Package	Assembly
1		1038634	Joystick, Remote	1	1
2		1010848	Clamp, Universal Swivel	1	1
3		12595X000	Lock Handle	1	1
4		40204X000	Nut, Hex (1/4-20)	1	1
5		1044928	Joystick Tube with Plug Button	1	1
6		1027095	Plug Button, Black (7/8")	1	1
7		1025590	Joystick, Attendant Control (1552M)	1	1
8		1041544-NLA	Joystick, Heavy Duty	1	1
9	A	1052719	Kit, Straight Joystick Tube with Hardware	1	1
10		1016401	Screw, Phillips Round Head (#10-32 x 3/8")	1	3
11		1027095	Plug Button, Black (7/8")	1	1
12	B	1044917	Hardware, Rear Cane Mount (1673/RCM)	1	1
13		1027095	Plug Button, Black (7/8")	1	1
14		1027274	Lock, Adjustment (Black)	1	1
15		1025245	Bracket, Upright -Right	1	1
16		1044918	Joystick Tube	1	1
17		1076284	Screw w/ washer (#10 x 7/8")	2	1
18	C	1052309	Arm Mount Tube with Plug Button	1	1
19		1027095	Plug Button, Black (7/8")	1	1
20		1038638	Joystick, MKIV Dual/Compact	1	1
21	D	1108012	Hardware, Dual/Compact Joystick Clamp Mounting	1	1
22		1025048	Clamp	1	1
23		1021460	Screw, Socket Button Head (#10-32 x 5/16")	1	4
24		1025045	Clamp, Mounting	1	1
25		1027089	Screw, Socket Head Cap (#10-24 x 1/2")	1	1
26		1026273	Spacer, Split (3/8" I.D.)	1	1
27	E	1020392	Chin Cup Assembly (1826)	1	1
28		1017545	Chin Cup	1	1
29		1017612	Screw, Adaptor	1	1
30		90032X000	Screw, Socket Set (#8-32 x 1/4")	1	2
31		1091353	Touchpad, Joystick Assembly	1	1
32	F	1092604	Kit, Straight Joystick Tube with Hardware	1	1
33		1027095	Plug Button, Black (7/8")	1	2
34		1052041	Screw, Phillips Pan Head (#4-40 x 3/8")	1	4
35	G	1049591	Hardware, Joystick Tube Mounting	1	1
36		1027267	Half Clamp, Threaded Holes	1	1
37		1027266	Half Clamp, Non-Threaded Holes	1	1
38		1027274	Lock, Adjustment (Black)	1	1
39		1049582	Bracket, Joystick Mounting	1	1
40		16690X004	Screw, Hex Head (1/4-20 x 1-1/8")	1	3
41	H	1093071	Clamp, Fixed Height Joystick Tube	1	1
42	I	1020818	Switch, Red Flex Ribbon (Tape) Reset	1	1
43	J	1123276	Kit, Switch, Black Egg Reset, with Hook/Loop Adhesive Back Fastener & Attaching Screws (EGSBLK)	1	1

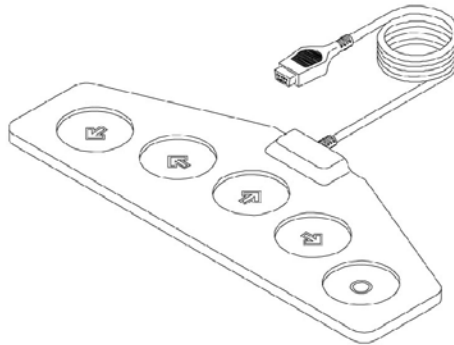
## MKIV Joystick Options

Item Number	Note	Part Number	Description	Quantity Per	
				Package	Assembly
44		1139422	Clamp, Height Adjustable Joystick Tube (ARM250)	1	1
	K	1108490	Display without Switches	1	1
	L	1108489	Display with Switches	1	1
<p>NOTE: A - Includes the joystick tube and items 10 and 11            B - Includes items 13-17            C - For On-Chair model numbers 1678 and 1679. Includes the joystick tube and item 19            D - Includes items 22-26            E - Includes items 28-30            F - Includes the joystick tube, items 33 and 34            G - Before 10/4/00 and includes items 36-40            H - After 10/3/00. Individual components are non-saleable. Can be used as a direct replacement in the field for the Joystick Tube Mounting Hardware part number 1049591.            I - Before 5/24/04            J - After 5/23/04. The Egg Reset Switch replaced the Red Flex Ribbon (Tape) Reset Switch            K - Not Shown and used with the Remote Joystick            L - Not Shown and used with the Heavy Duty and Touch Pad Joystick</p>					

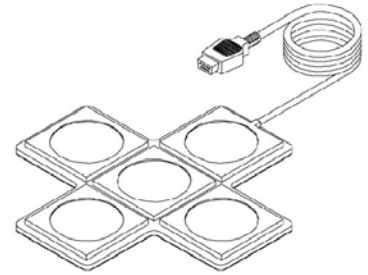
# Tash and Therafin Accessories



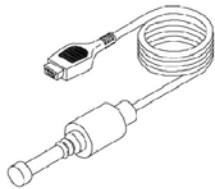
P5820 - Red Soft Switch  
P5821 - Green Soft Switch



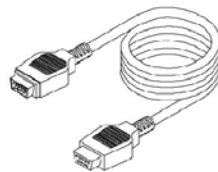
✦ P5018 - Wafer Board



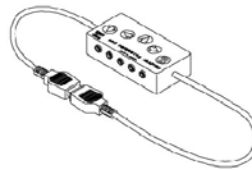
✦ P5026 - Star Control



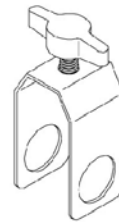
✦ P5020  
Mini Joystick with Push



P4337  
Multi-Ability Cable



P4353  
CAS Multi-Connector Box



P5970  
"U" Clamp

✦ Must be used with display w/ switches (1108489)

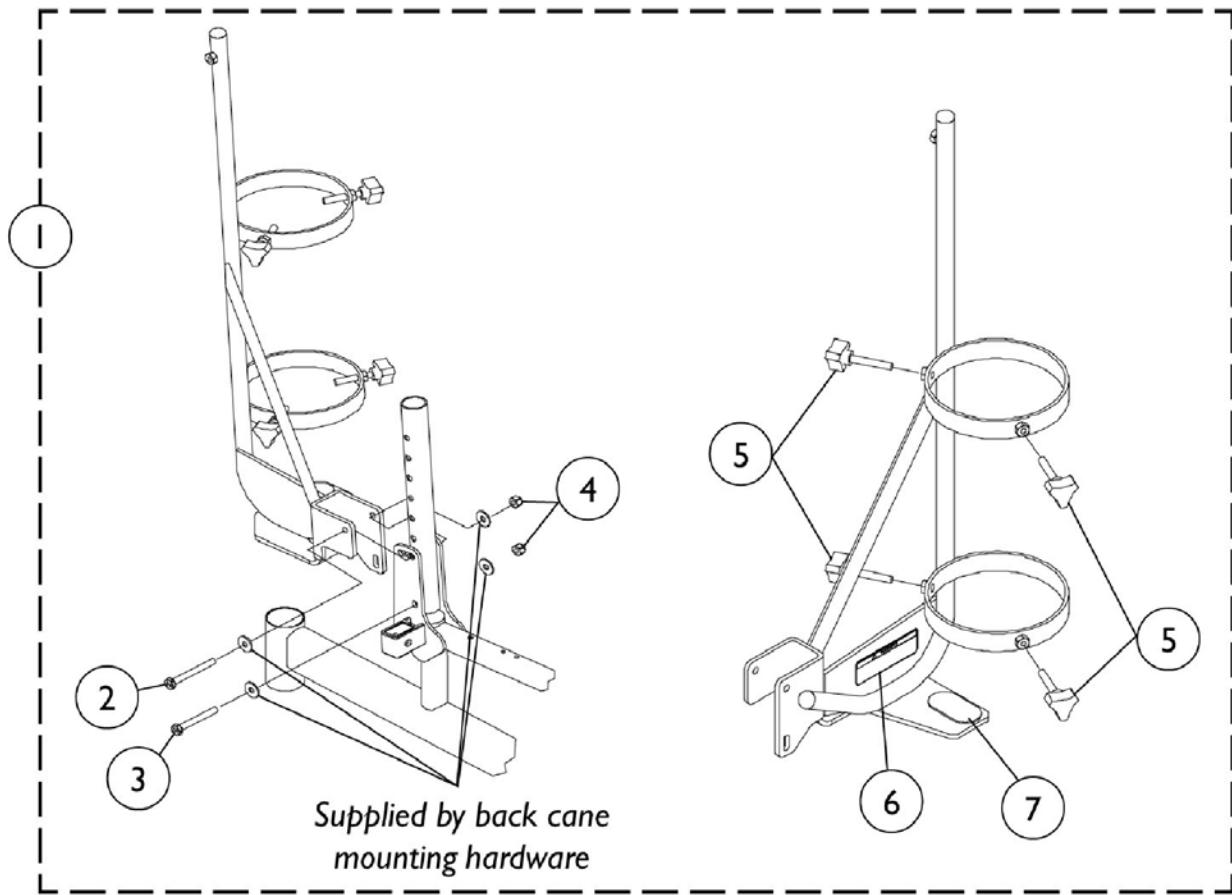
## Tash and Therafin Accessories

Item Number	Note	Part Number	Description	Quantity Per	
				Package	Assembly
	A	P5820	Switch, Red Soft	1	1
	A	P5821	Switch, Green Soft	1	1
	A,B	P5018	Wafer Board (5018)	1	1
	A,B	P5026	Star Control	1	1
	A,B	P5020	Mini Joystick with Push (5020)	1	1
	A	P4337	Multi-Ability Cable	1	1
	A	P4353	CA5 Multi-Connector Box	1	1
	A	P5970	"U" Clamp	1	1
	C	1142362	Bib Assembly (PKG32669)	1	1
	C	P21456	Adaptor Clamp - Tash	1	1
	C	P21457	Adaptor Clamp - Invacare	1	1
	C	P21460	Midline Swingway System	1	1
	C	1140824	Sip-N-Puff, 16" Fixed (PKG32666) Includes: 3 Air Tube Straws, 2 Saliva Traps, Tubing, Pivot Shaft/Flexible Metal Gooseneck Assembly, and Extruded Figure "8" Clamp to fit 7/8" Wheelchair Frame Tubing. Extruded Back Cane Adapter Clamp also included.	1	1
	C	1108489	Display with Switches	1	1
<p>NOTE: A - See pictorial for reference            B - Must be used with display w/ switches (#1108489).            C - Not Shown</p>					
<p>NOTE: For more information on Tash and Therafin products, please contact one of our Rehab Specialists.</p>					

## Miscellaneous Accessories

Item Number	Note	Part Number	Description	Quantity Per	
				Package	Assembly
		8881047956	Carrying Pocket, Nylon (14" Wide Chair)	1	1
		8881047959	Carrying Pocket, Nylon (16"-20" Wide Chair)	1	1
	A	8881047954	Carrying Pocket, Expanded Vinyl (14" Wide Chair)	1	1
	A	8881047957	Carrying Pocket, Expanded Vinyl (16"-20" Wide Chair)	1	1
		1063287	Extension Handle Assembly, Clutch (Pair)	2	1
		1058899	Handle, Wheel Lock Extension, 6"	1	2
		1058900	Handle, Wheel Lock Extension, 8"	1	2
		1034625.	0	1	1
		1004310	Positioning Strap, Seat/Chest w/ Auto Style Push Button Buckle (Eyelet to Eyelet Length 48")	1	1
		1034744	Positioning Strap, Seat/Chest w/ Hook and Loop Style Buckle (Eyelet to Eyelet Length 45")	1	1
		40176X010	Tire Pump	1	1
NOTE: A - Specify upholstery color when ordering. See page titled "Frame Finishes, Touch-Up Paints and Upholstery Colors."					
NOTE: These items are not shown.					

# Oxygen Holder Assembly



Item Number	Note	Part Number	Description	Quantity Per	
				Package	Assembly
1		1098857	Oxygen Holder, Assembly Kit	1	1
2		1096839	Screw, Hex Head (1/4-20 x 2-1/4")	1	1
3		1096838	Screw, Hex Head (1/4-20 x 2")	1	1
4		1025736	Locknut (1/4-20)	1	1
5		1027684	Knob, Clamping (Black)	1	4
6		1080866	Decal, Oxygen Warning - English	1	1
7		1072002	Pad, Non Skid	1	1
	A	1098333	Instruction Sheet, Oxygen Holder	1	1
	A	1097276	Carton, Shipper	1	1

NOTE: A - Not Shown



# Power Wheelchair Tool Kit

1



**Multimeter with Leads**



**Grounding Wire**



**1" Test Leads**



**Protractor/Angle Locator**



**Invacare Pen Light**



**Invacare Tape Measure**



**Invacare Phillips/Flat Head Screwdriver**



**MKIV Programmer**



**Virtual Service Charger Cable**

## Power Wheelchair Tool Kit

Item Number	Note	Part Number	Description	Quantity Per	
				Package	Assembly
1		1125222	Kit, Power Wheelchair Tool Includes: 1 ea. Multimeter with Leads 1 ea. Locator, Protractor/Angle Magnetic Base 1 ea. Instructions, MKIV Programmer 1 ea. Wire, Grounding with Hand Strap and Clip 1 ea. Leads, 1" Test 1 ea. Light, Pen with Invacare Logo 1 ea. Tape Measure, Compact with Invacare Logo 1 ea. Screwdriver, Pen-Size Phillips/Flat Head 1 ea. Cable, Virtual Service Charger/Modem	1	1

**Invacare Corporation**

[www.invacare.com](http://www.invacare.com)



Yes, you can.™

One Invacare Way  
Elyria, Oh USA  
44036-2125  
800-333-6900

Technical Support  
800-832-4707  
Customer Service  
800-333-6900

Customer Service  
800-333-6900

©2008 Invacare Corporation, Elyria, Ohio. All rights reserved. Trademarks are identified by the symbols™ and®. All trademarks are owned by or licensed to Invacare Corporation unless otherwise noted. Tash is a registered trademark of Tash International Inc.; Therafin is a registered trademark of W/R/ Medical Electronics Co.; Bussman is a registered trademark of Cooper Industries; MIDI is a registered trademark of Littelfuse Inc.; and Dynamic is a registered trademark of Dynamic Controls Limited. (Revised 05/27/08)

Form No. 95-172